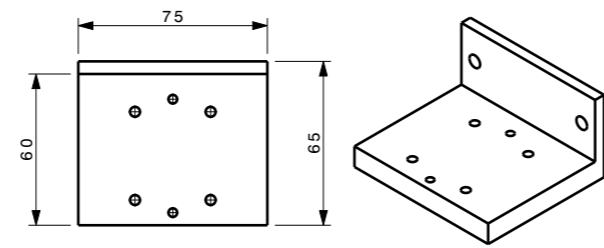
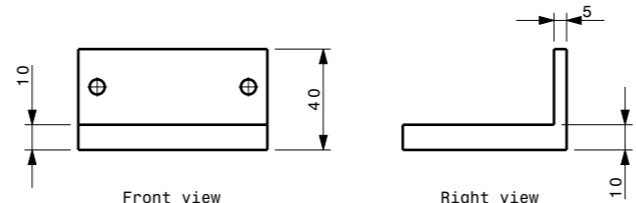


Isometric view  
Scale: 1:30

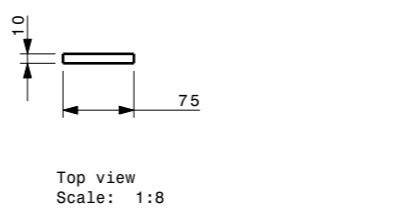


Top view Scale: 1:3  
Isometric view Scale: 1:3

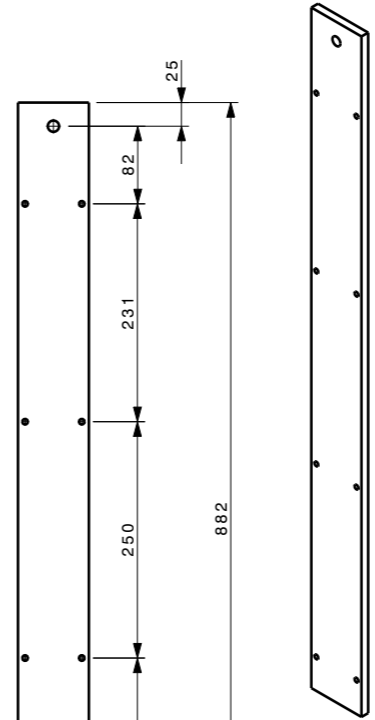


Front view Scale: 1:3  
Right view Scale: 1:3

③ . SUPPORT BRACKET



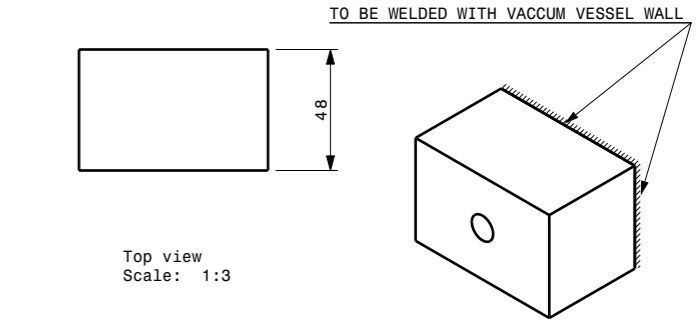
Top view  
Scale: 1:8



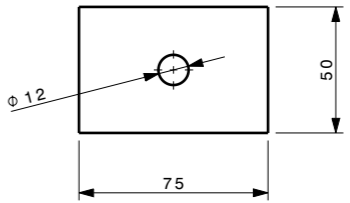
Front view  
Scale: 1:8

Isometric view  
Scale: 1:8

② . SUPPORT PLATE



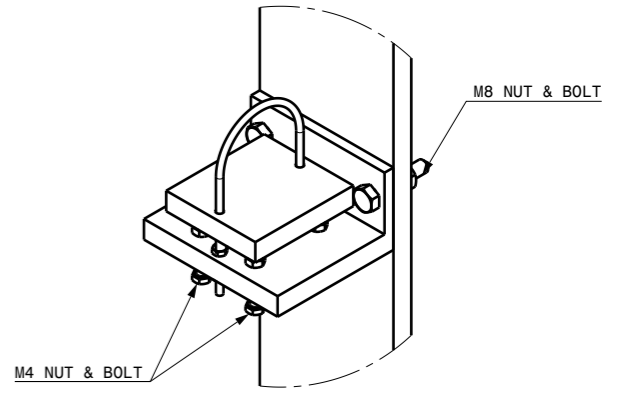
Top view  
Scale: 1:3



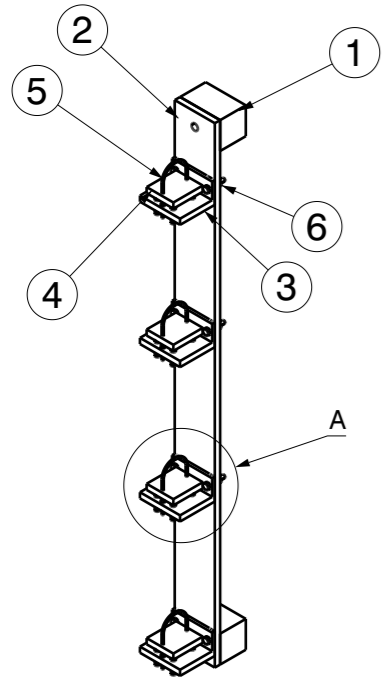
Front view  
Scale: 1:3

Isometric view  
Scale: 1:3

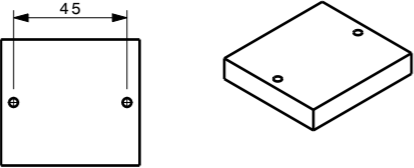
① . SS BLOCK



Detail A  
Scale: 1:3



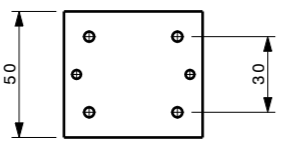
Isometric view  
Scale: 1:10



Top view Scale: 1:3  
Isometric view Scale: 1:3

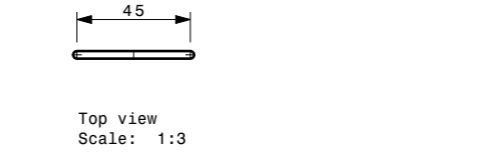


Front view Scale: 1:3  
Right view Scale: 1:3

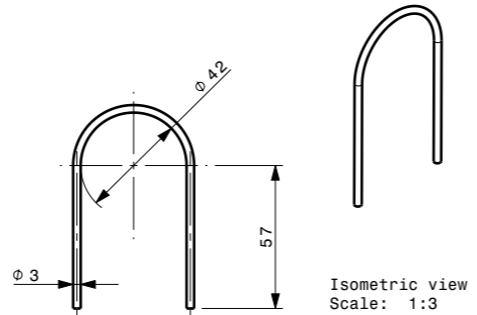


Bottom view  
Scale: 1:3

④ . G10 SUPPORT



Top view  
Scale: 1:3



Front view  
Scale: 1:3

Isometric view  
Scale: 1:3

⑤ . CLAMP

NOTE :-  
PROCUREMENT/FABRICATION OF ALL REQUIRED MATERIAL  
AS LISTED IN BOM IS UNDER THE SCOPE OF  
SUPPLIER/VENDOR.

SR.NO.	DESCRIPTION	MATERIAL	QTY.
6	FASTENERS	SS 304	AS PER REQ.
5	CLAMPS WITH NUT	SS 304 L	40
4	G10 SUPPORT	FRP G10	40
3	SUPPORT BRACKET	SS 304 L	40
2	SUPPORT PLATE	SS 304 L	10
1	SS BLOCK	SS 304 L	20

DRG.NO	▽ 8-25	▽▽ 1.6-8	▽▽▽ 0.025-1.6	▽▽▽▽ < 0.025
--------	--------	----------	---------------	--------------

MACHINING DEVIATIONS FOR NON-TOLERANCED DIMENSIONS					REVISION COLUMN					
LENGTH IN mm OF SHORTER SIDE OF ANGLES				LENGTH OR DIA	REV	ZONE	DESCRIPTION	DATE	REMARKS	APPROVED BY
UPTO 10	10-50	50-120	OVER 120-400							
UPTO 6	6-30	30-120	120-315							
+0.1	+0.2	+0.3	+0.5							

NBI GROUP:		SIZE A3	INSTITUTE FOR PLASMA RESEARCH BHAT, GANDHINAGAR-382 428.	
ALL DIMENSIONS ARE IN 'mm' UNLESS OTHERWISE STATED			TITLE	
SCALE	NTS	DATE	CRYOGENIC_HEADER_SUPPORTS_DETAIL	
DRAWN	A.R.K.			
CHECKED			REF DRG NO:	
APPROVED			DRG.NO	2.04.02.034
			REV	00
			SHEET	6 OF 6