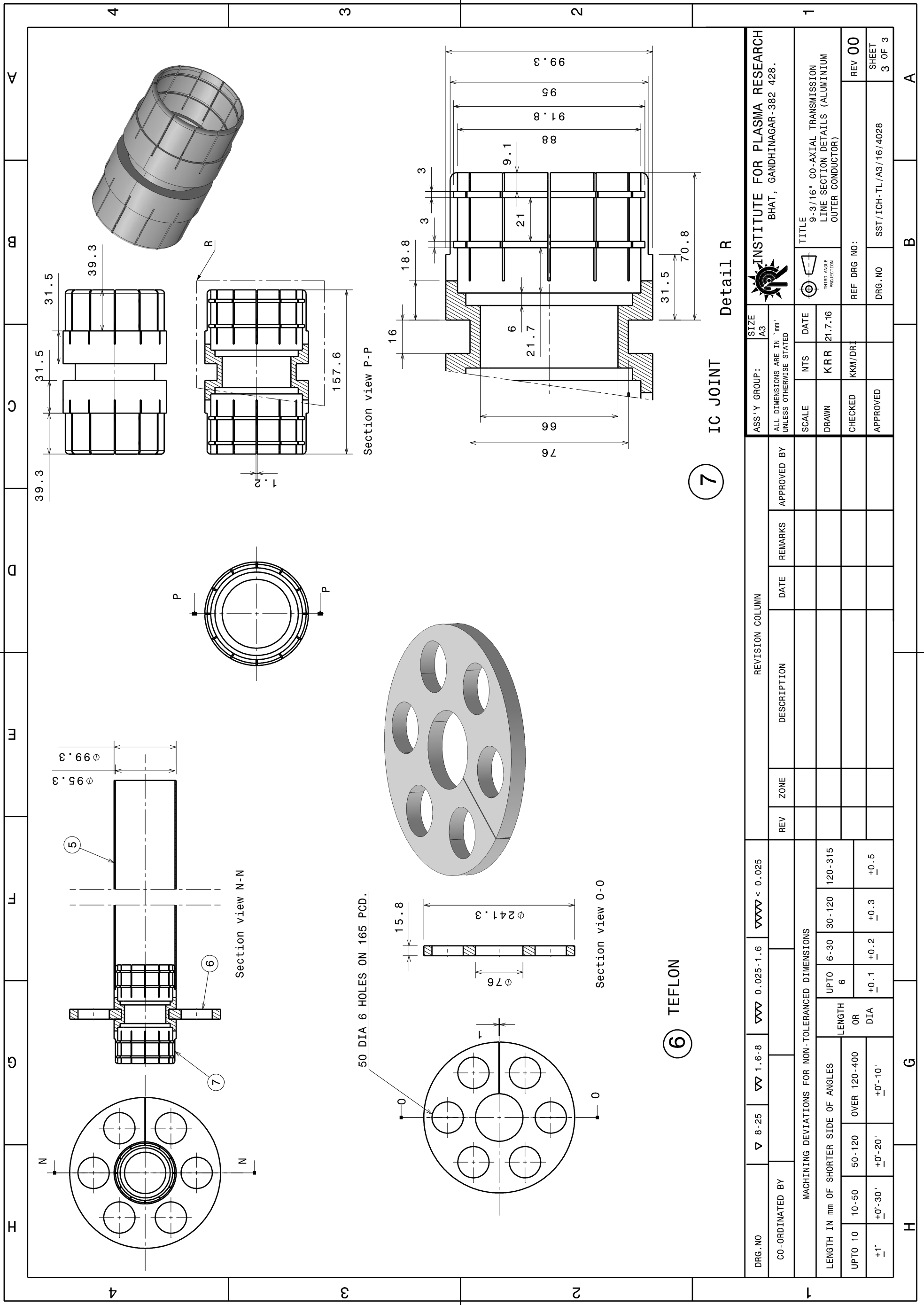


This file has been cleaned of potential threats.

To view the reconstructed contents, please SCROLL DOWN to next page.



DRG.NO	▽ 8-25	▽▽ 1.6-8	▽▽▽ 0.025-1.6	▽▽▽▽ < 0.025	REV	ZONE	DESCRIPTION	DATE	REMARKS	APPROVED BY	ASS'Y GROUP:	SIZE	INSTITUTE FOR PLASMA RESEARCH BHAT, GANDHINAGAR-382 428.	
CO-ORDINATED BY	MACHINING DEVIATIONS FOR NON-TOLERANCED DIMENSIONS										ALL DIMENSIONS ARE IN 'mm' UNLESS OTHERWISE STATED	A3	THIRD ANGLE PROJECTION TITLE 9-3/16" CO-AXIAL TRANSMISSION LINE SECTION DETAILS (ALUMINIUM OUTER CONDUCTOR)	
LENGTH IN mm OF SHORTER SIDE OF ANGLES	UPTO 10		50-120		OVER 120-400		+0'-20'				SCALE	DATE	REF DRG NO: DRG.NO SST/ICH-TL/A3/16/4028	
	+1'		+0'-30'		+0'-10'		±0'-10'				DRAWN	21.7.16	REV 00 SHEET 3 OF 3	
	UPTO 6		6-30		30-120		120-315				CHECKED		KKM/DR/	
	+0.1		±0.2		±0.3		+0.5				APPROVED		APPROVED	

⑥ TEFLON

⑦

IC JOINT

Detail R

H

G

H

G

H

G

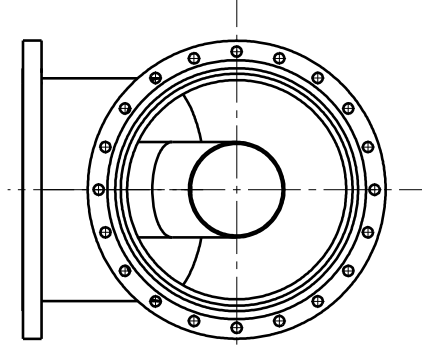
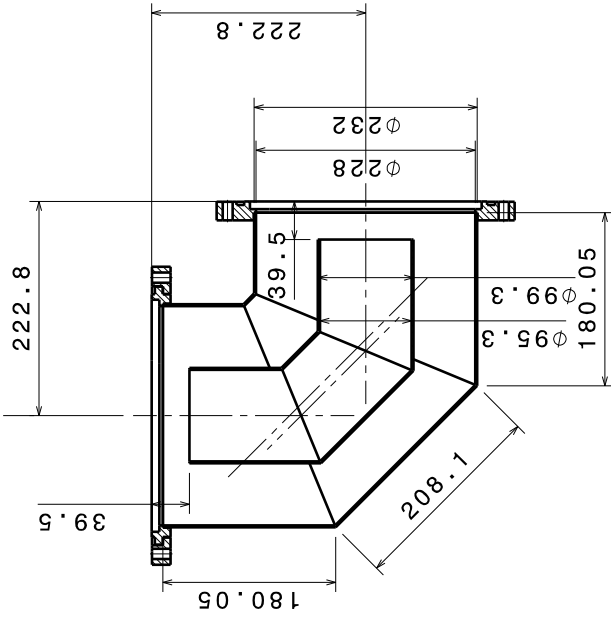
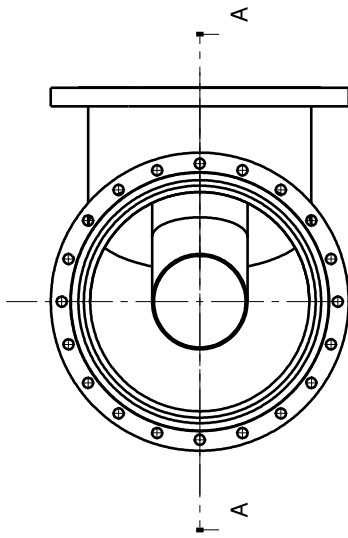
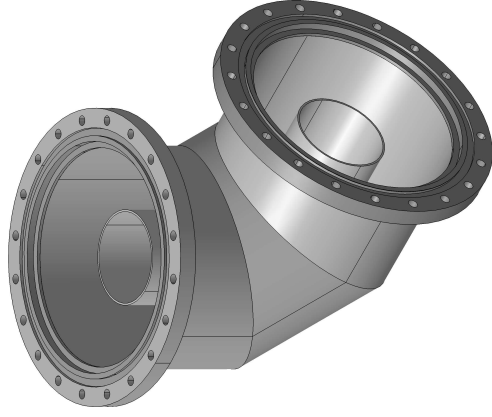
H

G

A

B

A



DRG.NO	CO-ORDINATED BY	▽ 8.25	▽ 1.6-8	▽ 0.025-1.6	▽ < 0.025	REVISION COLUMN	APPROVED BY	SIZE	ASS'Y GROUP:	INSTITUTE FOR PLASMA RESEARCH BHAT, GANDHINAGAR-382 428.
MACHINING DEVIATIONS FOR NON-TOLERANCED DIMENSIONS						REVISION COLUMN	APPROVED BY	A3	ALL DIMENSIONS ARE IN "mm" UNLESS OTHERWISE STATED	
LENGTH IN mm OF SHORTER SIDE OF ANGLES						DESCRIPTION	REMARKS	SCALE	DATE	TITLE
UPTO 10						UPTO 6-30		DRAWN	04.08.16	ELBOW (NON STANDARD)
+0°-30'						OR		CHECKED		THIRD ANGLE PROJECTION
+1°						DIA		APPROVED		REF DRG NO:
						±0.1				DRG.NO
						±0.2				REV 00
						+0.3				SHEET
						±0.5				1 OF 1

A B C D E F G H 1 2 3 4