

SR NO	DESCRIPTION	DRAWING NUMBER	QTY
11	SUPPORT STAND	IPR/RHRTD/SVC-28	2
10	500CF ROTATABLE FLANGE	IPR/RHRTD/SVC-24	1
9	VESSEL SIDE END FLANGE CONNECTOR	IPR/RHRTD/SVC-23	1
8	BLANK END FLANGE	IPR/RHRTD/SVC-22	1
7	END FLANGE	IPR/RHRTD/SVC-21	1
6	VESSEL SIDE PORT ASSEMBLY	IPR/RHRTD/SVC-07	1
5	500 ISO GATE VALVE	IPR/RHRTD/SVC-06	1
4	UPPER PLATE ASSEMBLY	IPR/RHRTD/SVC-05	1
3	SIDE PLATE-2 ASSEMBLY	IPR/RHRTD/SVC-04	1
2	SIDE PLATE-1 ASSEMBLY	IPR/RHRTD/SVC-03	1
1	BASE PLATE ASSEMBLY	IPR/RHRTD/SVC-02	1

This drawing is our property.
It can't be produced
or communicated without
our written agreement.

INSTITUTE FOR PLASMA RESEARCH

DRAWN BY	DATE	STORAGE VACUUM CHAMBER ASSEMBLY
CHECKED BY	DATE	A3 SIZE

IPR/RHRTD/SVC-01

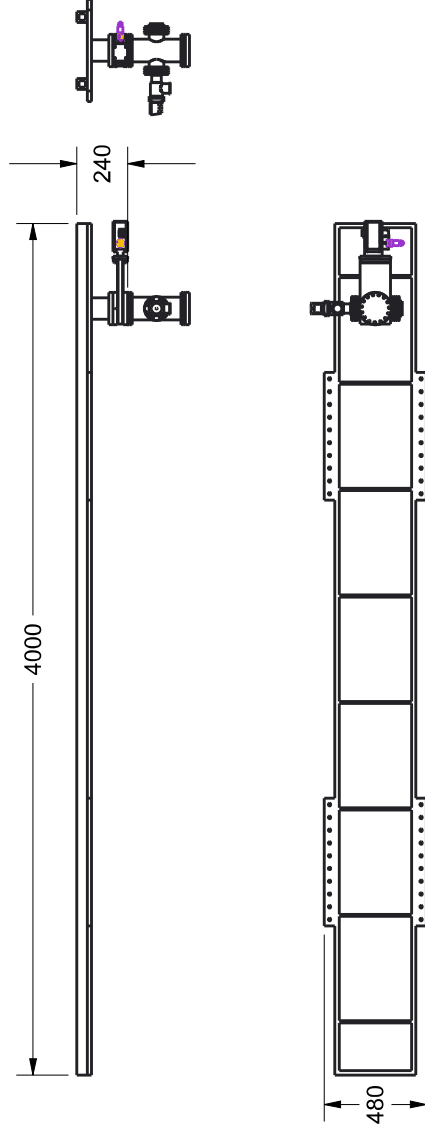
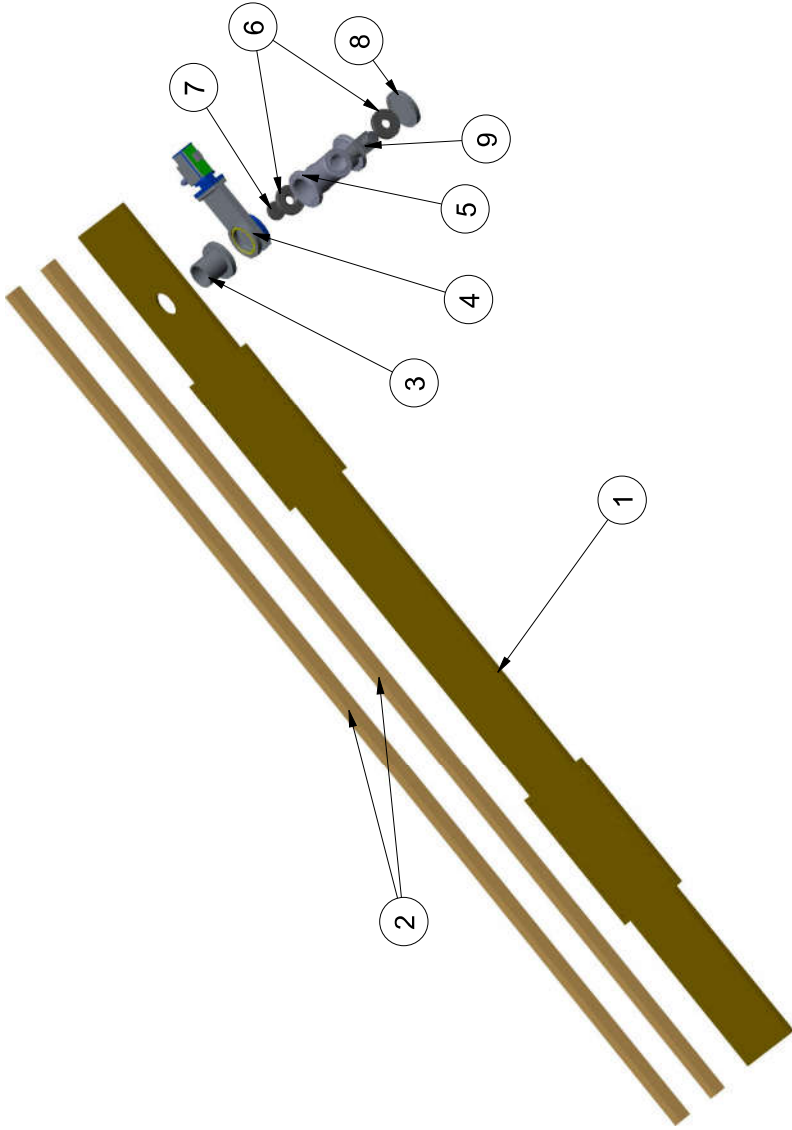


MATERIAL :

WEIGHT : 1483 kg

SHEET

ALL DIMENSIONS ARE IN MM



ALL DIMENSIONS ARE IN MM

9	40KF MANUAL ANGLE VALVE	IPR/RHRTD/SVC-33	1
8	100CF BLANK FLANGE	IPR/RHRTD/SVC-32	1
7	40CF BLANK FLANGE	IPR/RHRTD/SVC-31	1
6	63CF - 40KF REDUCER FLANGE	IPR/RHRTD/SVC-30	2
5	100CF - 63CF CROSS FLANGE	IPR/RHRTD/SVC-29	1
4	100CF GATE VALVE	IPR/RHRTD/SVC-14	1
3	100CF FLANGE	IPR/RHRTD/SVC-13	1
2	RAIL SUPPORT STRUCTURE	IPR/RHRTD/SVC-12	2
1	BASE PLATE	IPR/RHRTD/SVC-08	1
SR NO	DESCRIPTION	DRAWING NUMBER	QTY

This drawing is our property.
It can't be produced
or communicated without
our written agreement.

INSTITUTE FOR PLASMA RESEARCH

BASE PLATE ASSEMBLY

DRAWN BY

DATE

CHECKED BY

DATE

A3 SIZE

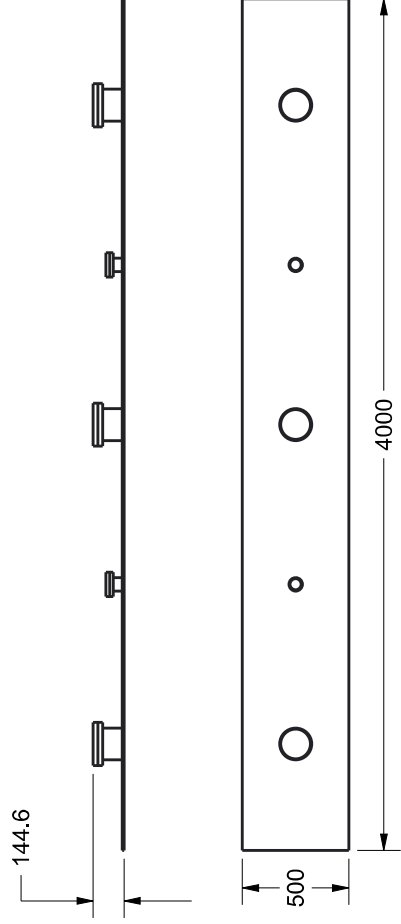
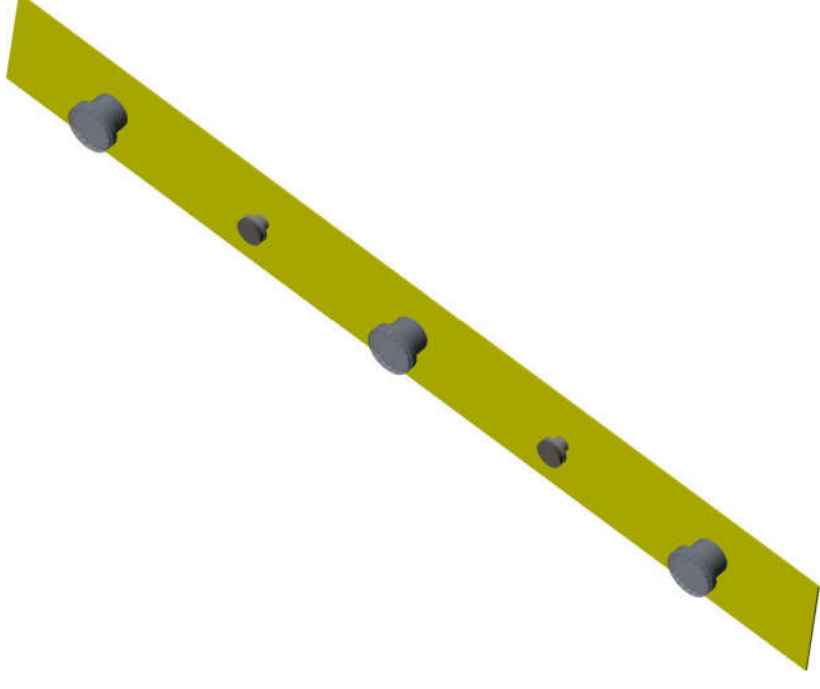
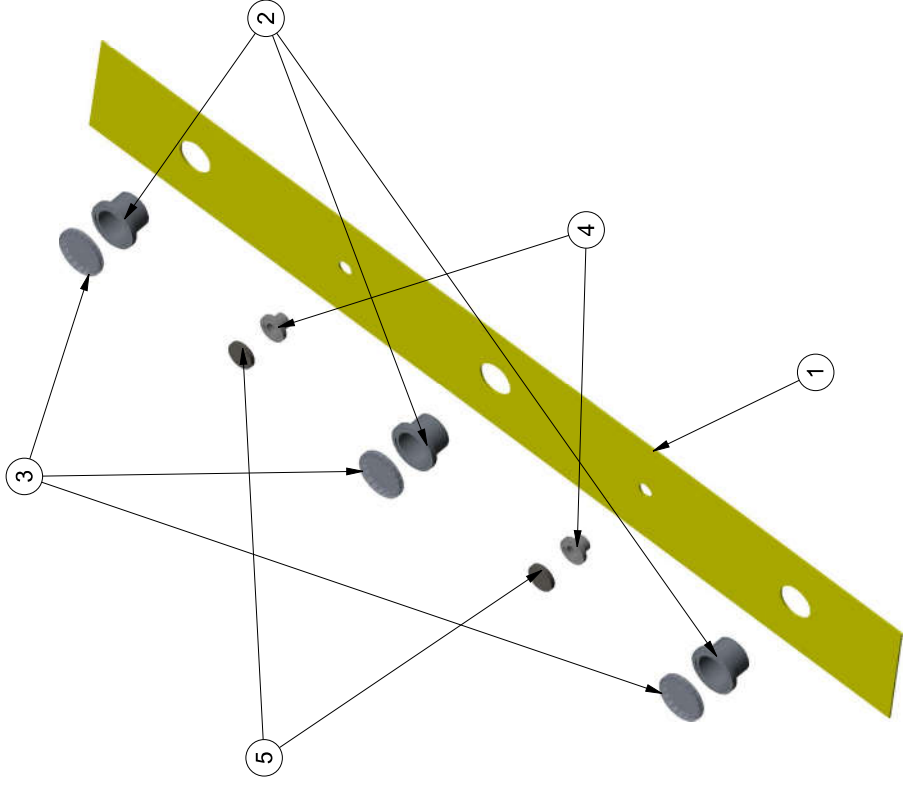
IPR/RHRTD/SVC-02



MATERIAL :

WEIGHT : 264.4 kg

SHEET



ALL DIMENSIONS ARE IN MM

5	63CF BLANK FLANGE	IPR/RHRTD/SVC-18	2
4	63CF CASK SIDE FLANGE	IPR/RHRTD/SVC-17	2
3	150CF BLANK FLANGE	IPR/RHRTD/SVC-16	3
2	150CF FLANGE	IPR/RHRTD/SVC-15	3
1	SIDE PLATE-1	IPR/RHRTD/SVC-09	1
SR NO	DESCRIPTION	DRAWING NUMBER	QTY

This drawing is our property.
It can't be produced
or communicated without
our written agreement.

INSTITUTE FOR PLASMA RESEARCH

SIDE PLATE-1 ASSEMBLY

DRAWN BY

DATE

CHECKED BY

DATE

A3 SIZE

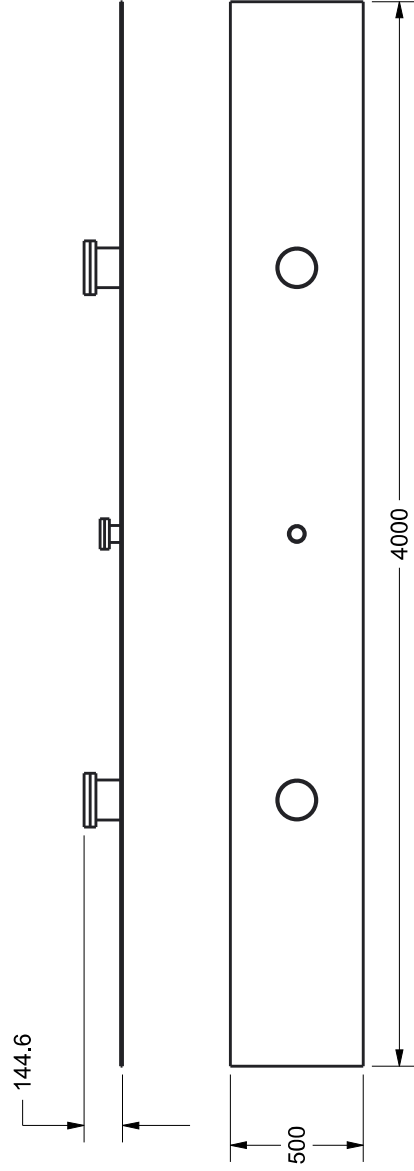
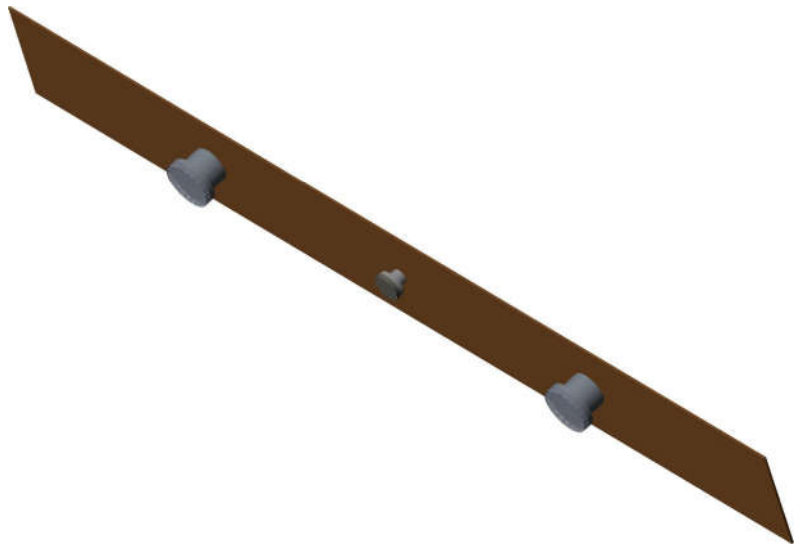
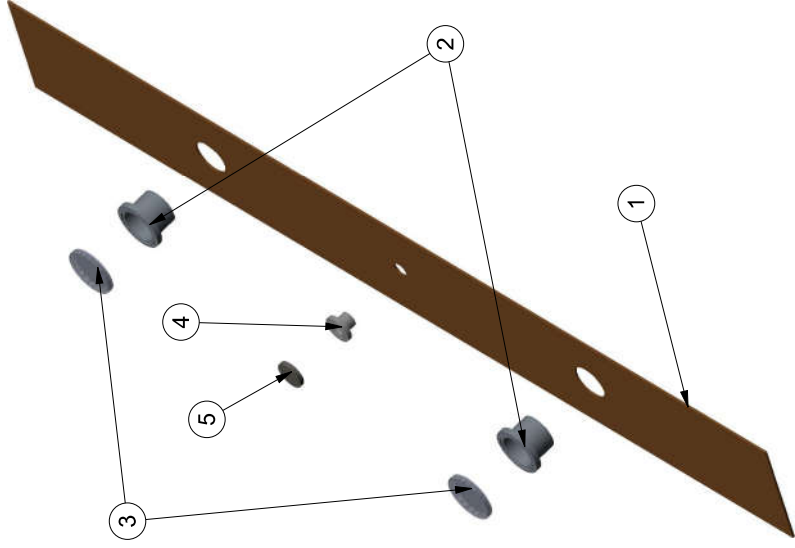
IPR/RHRTD/SVC-03



MATERIAL :

WEIGHT : 164 kg

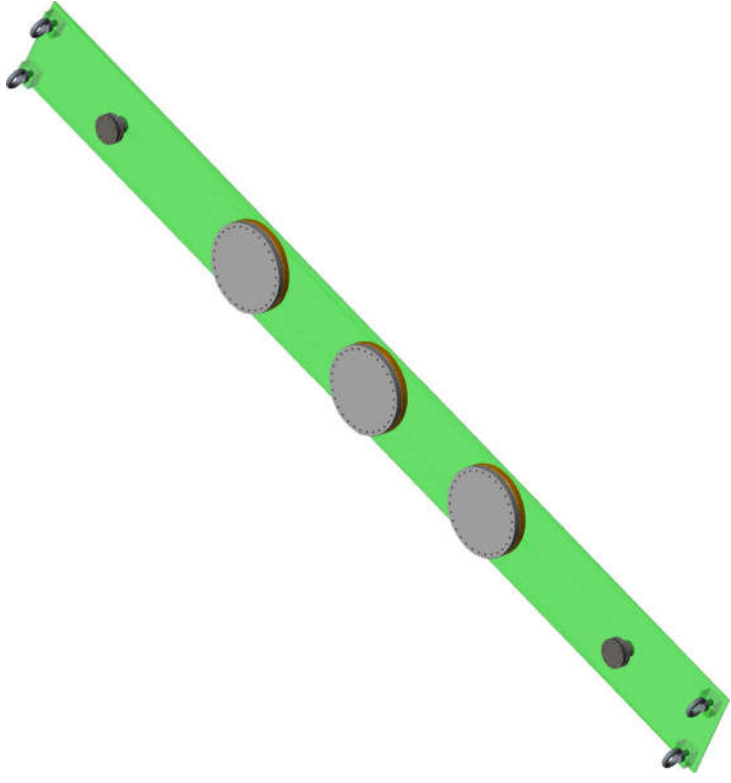
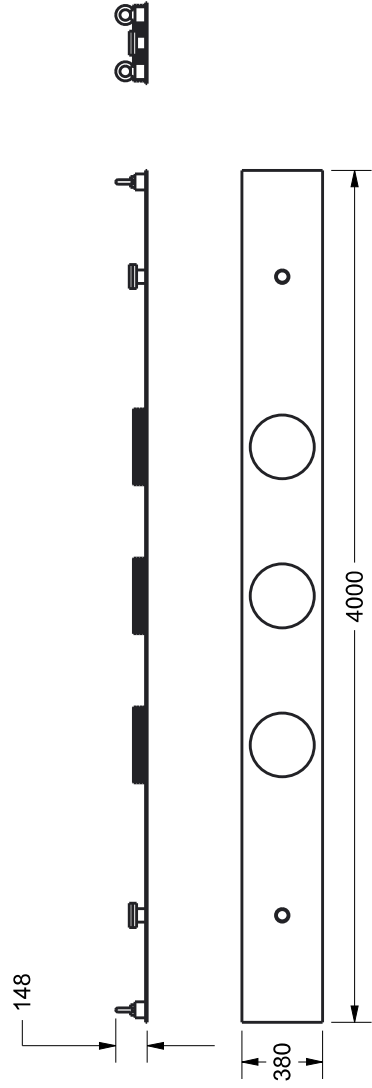
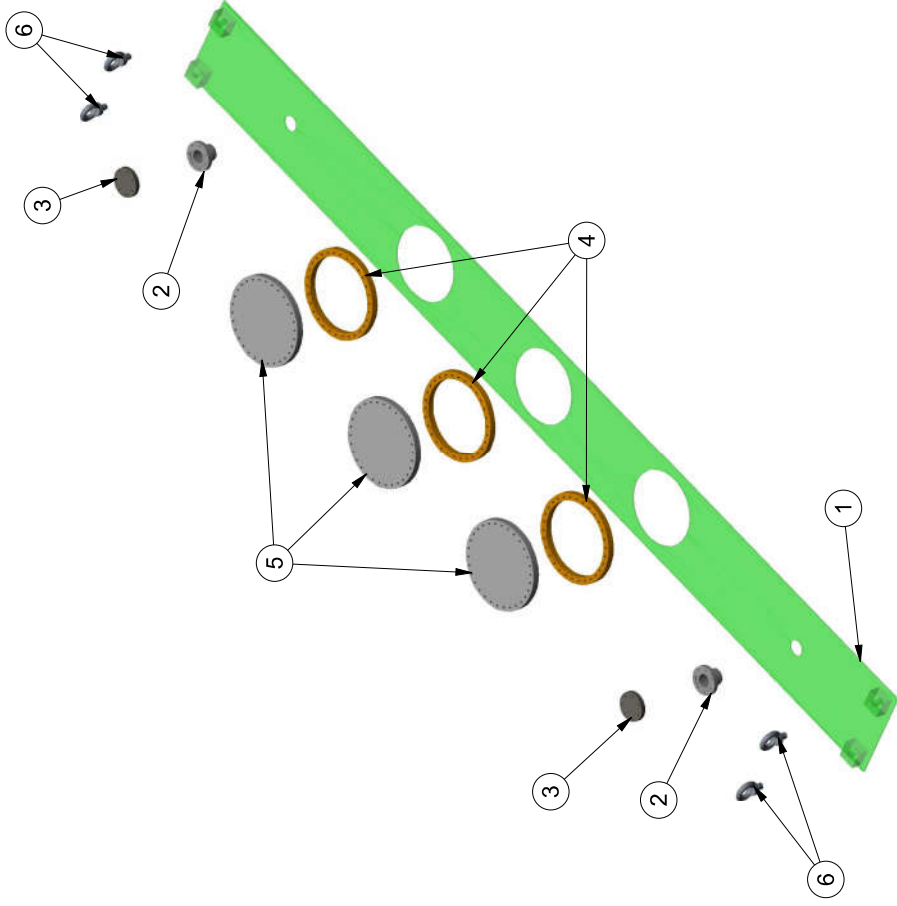
SHEET



5	63CF BLANK FLANGE	IPR/RHRTD/SVC-18	1
4	63CF CASK SIDE FLANGE	IPR/RHRTD/SVC-17	1
3	150CF BLANK FLANGE	IPR/RHRTD/SVC-16	2
2	150CF FLANGE	IPR/RHRTD/SVC-15	2
1	SIDE PLATE-2	IPR/RHRTD/SVC-10	1
SR NO	DESCRIPTION	DRAWING NUMBER	QTY

This drawing is our property. It can't be produced or communicated without our written agreement.		INSTITUTE FOR PLASMA RESEARCH	
DRAWN BY	DATE	SIDE PLATE-2 ASSEMBLY	
CHECKED BY	DATE	A3 SIZE	IPR/RHRTD/SVC-04
	MATERIAL :	WEIGHT : 143.1 kg	SHEET

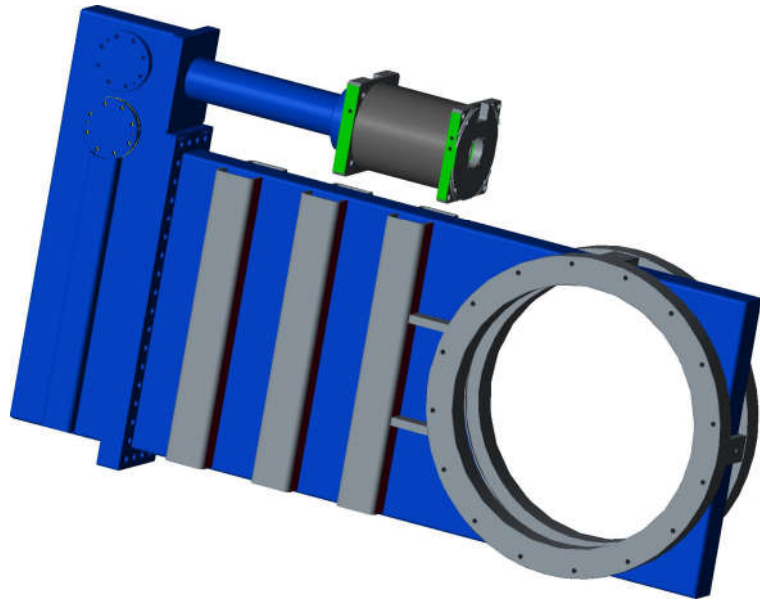
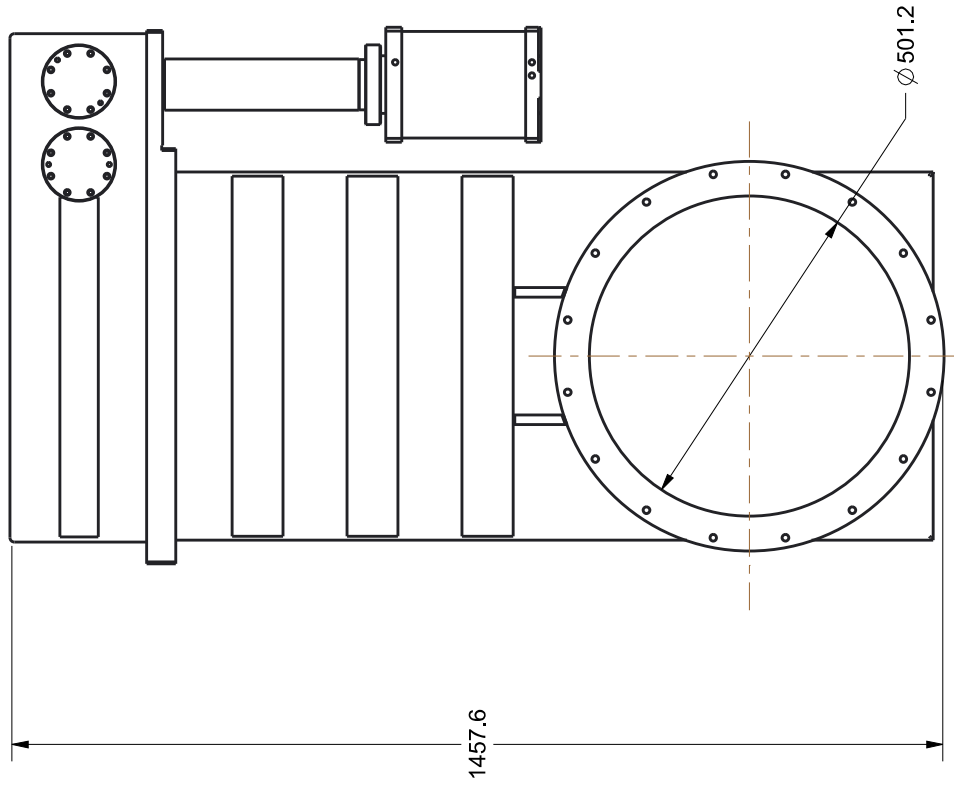
ALL DIMENSIONS ARE IN MM



6	M24 X 36 MM EYE-BOLT	4	
5	300CF BLANK FLANGE	3	
4	300CF FLANGE	3	
3	63CF BLANK FLANGE	2	
2	63CF CASK SIDE FLANGE	2	
1	UPPER PLATE	1	
SR NO	DESCRIPTION	DRAWING NUMBER	QTY

This drawing is our property. It can't be produced or communicated without our written agreement.		INSTITUTE FOR PLASMA RESEARCH	
DRAWN BY	DATE	UPPER PLATE ASSEMBLY	
CHECKED BY	DATE	A3 SIZE	IPR/RHRTD/SVC-05
 	MATERIAL :	WEIGHT : 176.4 kg	SHEET

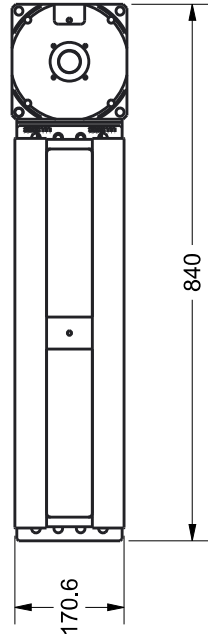
ALL DIMENSIONS ARE IN MM

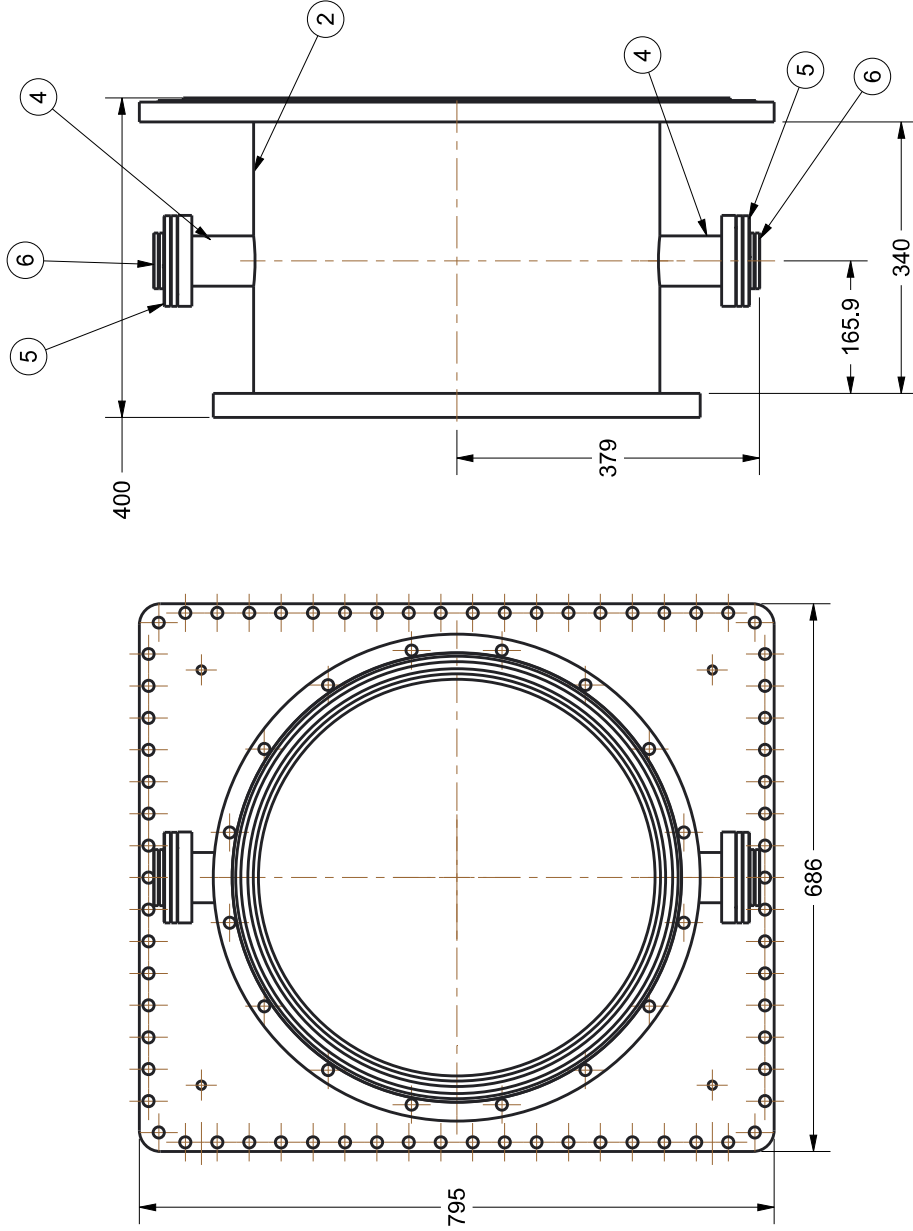
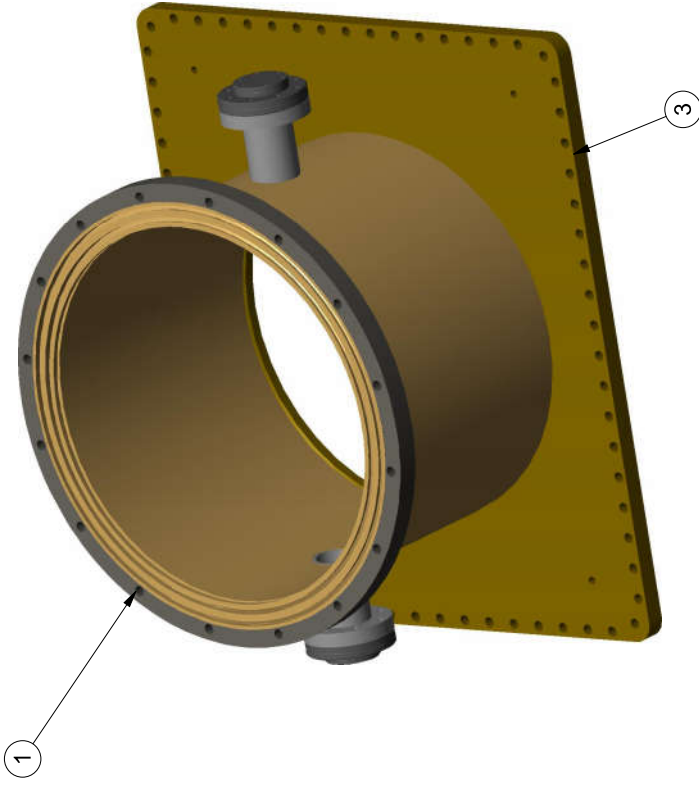


- ALL DIMENSIONS ARE IN MM
 - FOR DIMENSIONS CONSIDER STANDARD 500 ISO GATEVALVE

This drawing is our property.
 It can't be produced
 or communicated without
 our written agreement.

DRAWN BY	DATE	INSTITUTE FOR PLASMA RESEARCH	
CHECKED BY	DATE	500 ISO GATEVALVE	
		A3 SIZE	IPR/RHRTD/SVC-06
		MATERIAL :	WEIGHT : 235 kg
			SHEET





6	40CF BLANK FLANGE	IPR/RHRTD/SVC-31	2
5	63CF - 40KF REDUCER FLANGE	IPR/RHRTD/SVC-30	2
4	63CF PORT SIDE FLANGE	IPR/RHRTD/SVC-27	2
3	VESSEL PORT FLANGE	IPR/RHRTD/SVC-26	3
2	VESSEL PORT FLANGE CONNECTOR	IPR/RHRTD/SVC-25	3
1	500CF ROTATABLE FLANGE	IPR/RHRTD/SVC-24	1
SR NO	DESCRIPTION	DRAWING NUMBER	QTY

This drawing is our property.
It can't be produced
or communicated without
our written agreement.

INSTITUTE FOR PLASMA RESEARCH

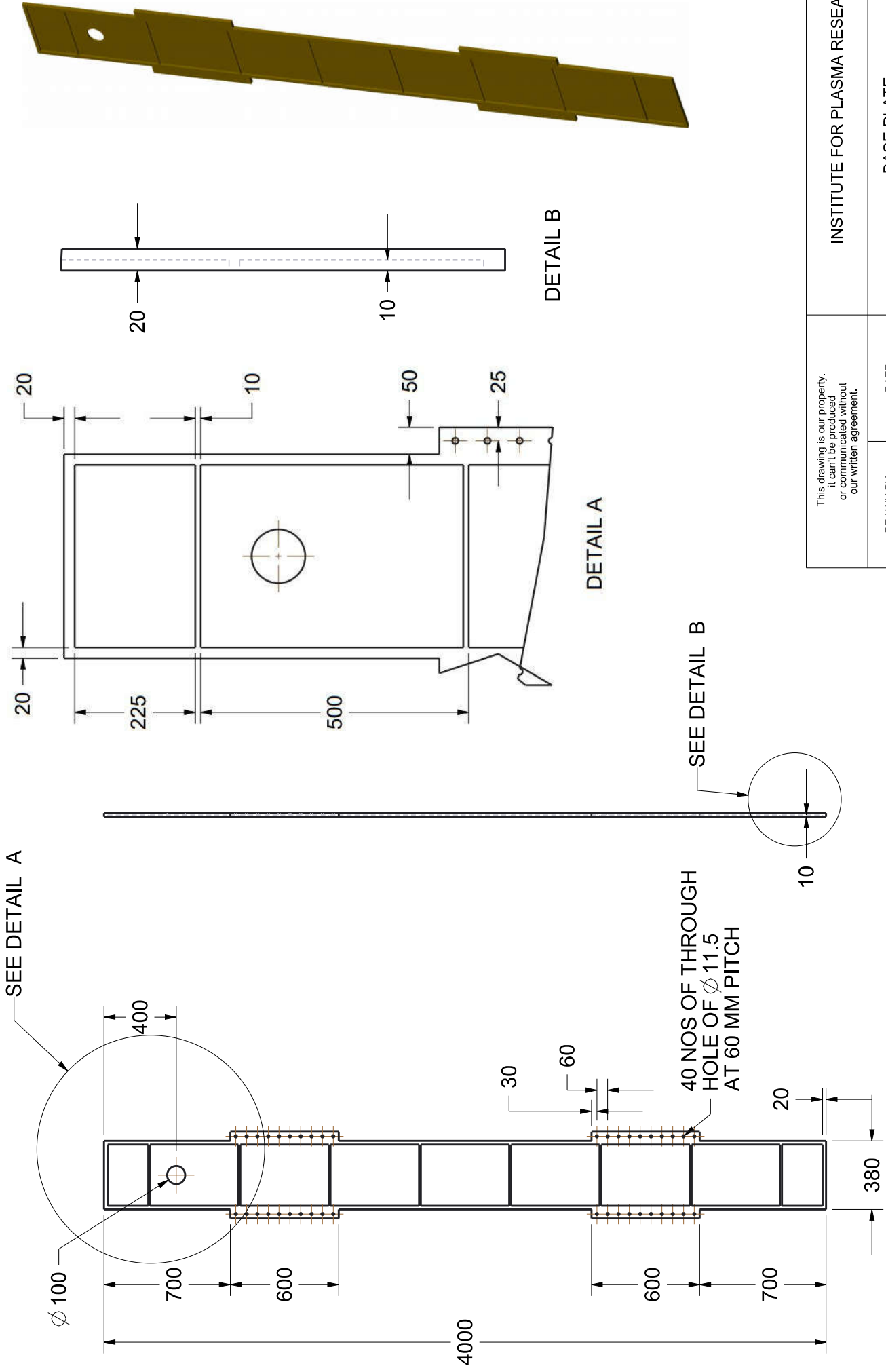
DRAWN BY	DATE	VESSEL SIDE PORT ASSEMBLY	
CHECKED BY	DATE	A3 SIZE	IPR/RHRTD/SVC-07



ALL DIMENSIONS ARE IN MM

WEIGHT : 126.17 kg

SHEET

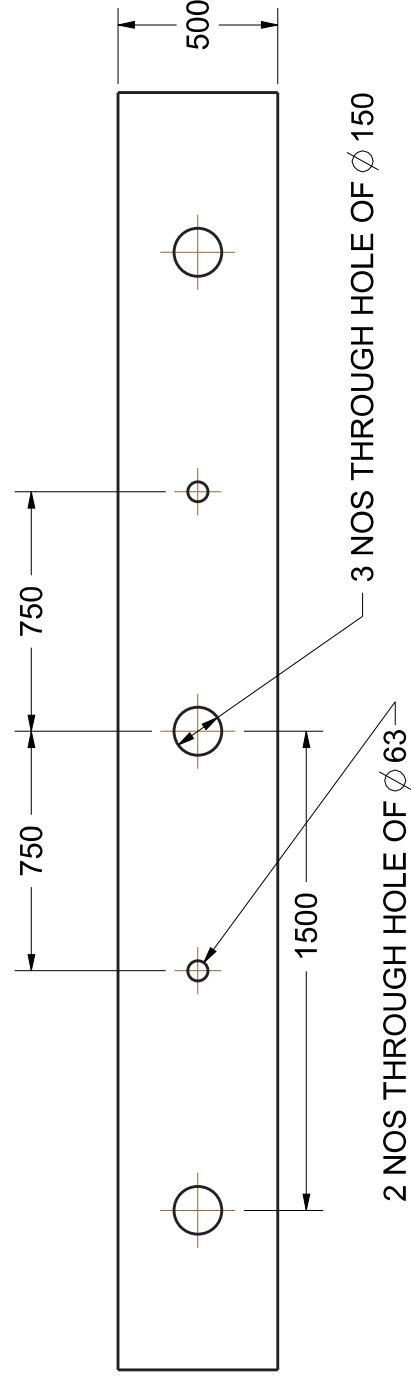


This drawing is our property.
It can't be produced
or communicated without
our written agreement.

DRAWN BY		DATE	INSTITUTE FOR PLASMA RESEARCH	
CHECKED BY		DATE	BASE PLATE	
			A3 SIZE	IPR/RHRD/SVC-08
			MATERIAL : SS304L	WEIGHT : 150.6 kg
				SHEET

NOTE:

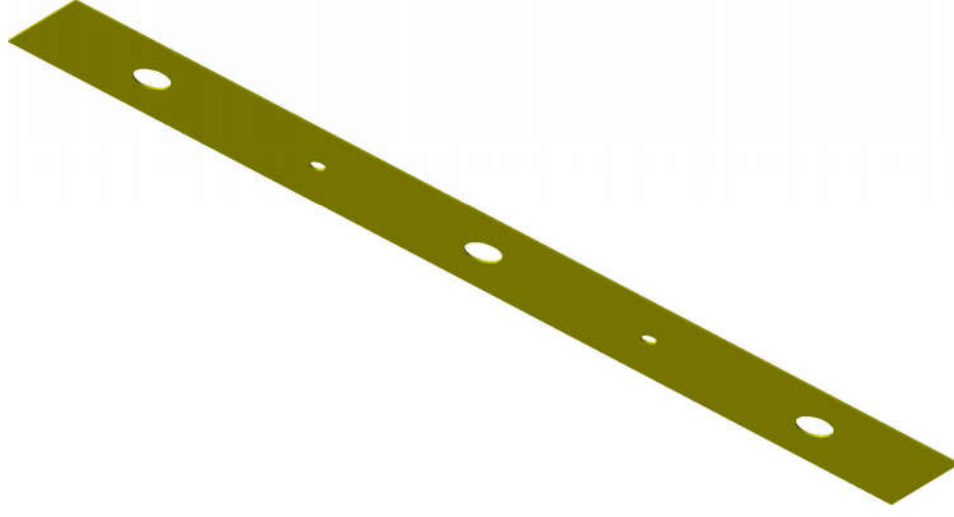
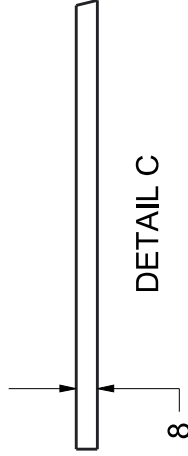
1) ALL DIMENSIONS ARE IN mm



2 NOS THROUGH HOLE OF Ø 63

3 NOS THROUGH HOLE OF Ø 150

SEE DETAIL C



This drawing is our property. It can't be produced or communicated without our written agreement.

DRAWN BY

DATE

CHECKED BY

DATE



NOTE:

1) ALL DIMENSIONS ARE IN mm

INSTITUTE FOR PLASMA RESEARCH

SIDE PLATE-1

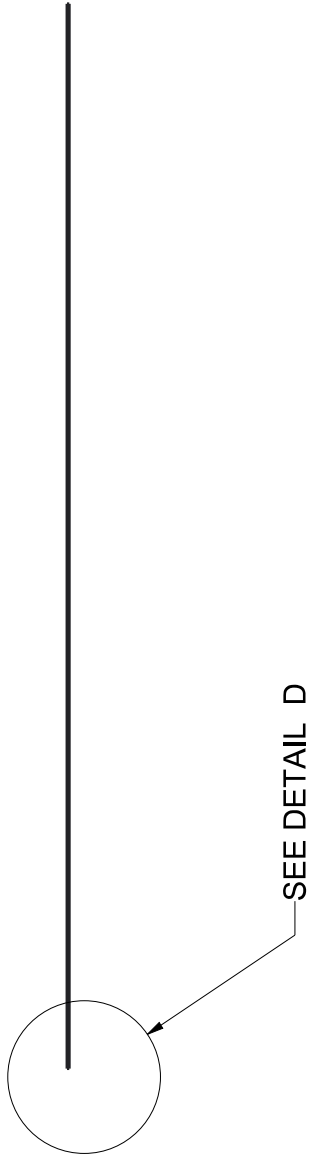
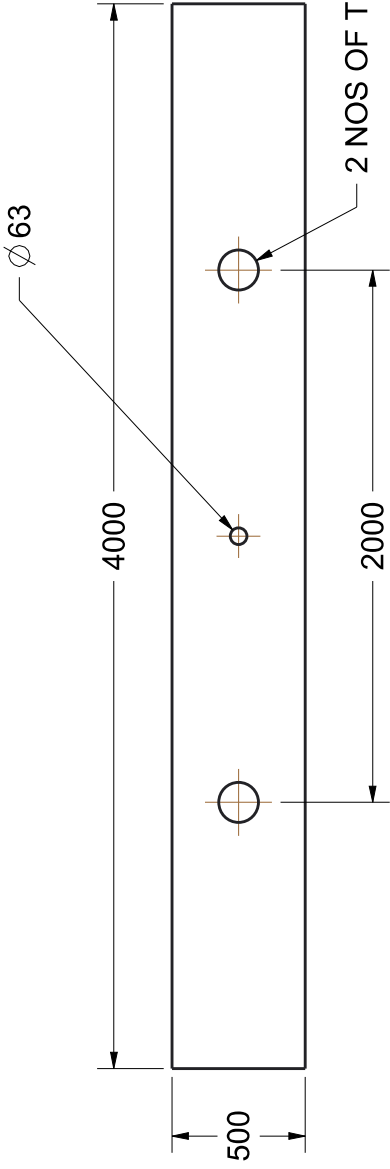
A3 SIZE

IPR/RHRD/SVC-09

MATERIAL : SS304L

WEIGHT : 120.2 kg

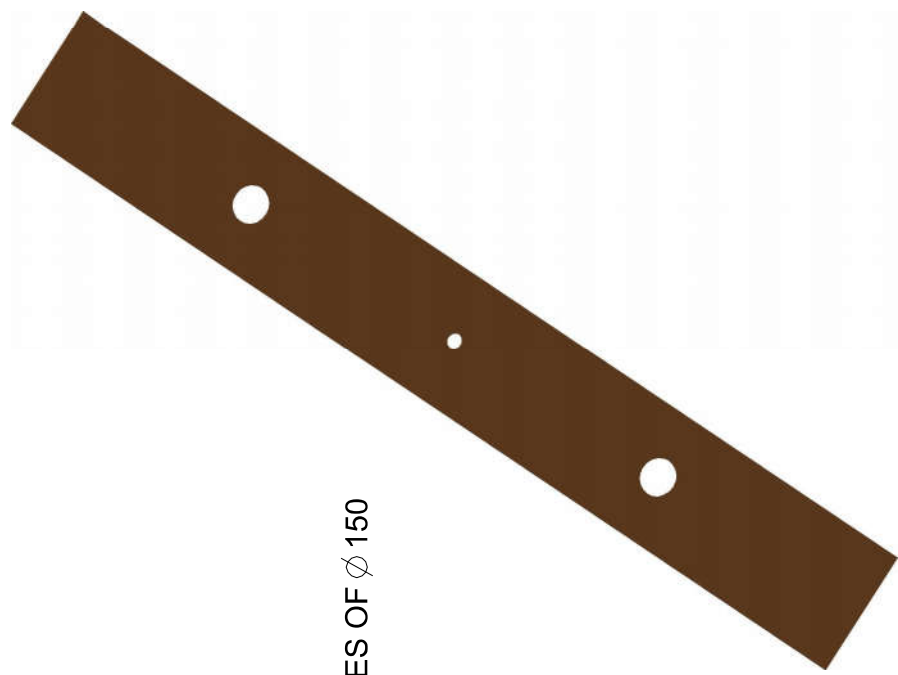
SHEET



DETAIL D

NOTE:

1) ALL DIMENSIONS ARE IN mm



This drawing is our property. It can't be produced or communicated without our written agreement.

DRAWN BY

DATE

CHECKED BY

DATE



INSTITUTE FOR PLASMA RESEARCH

SIDE PLATE-2

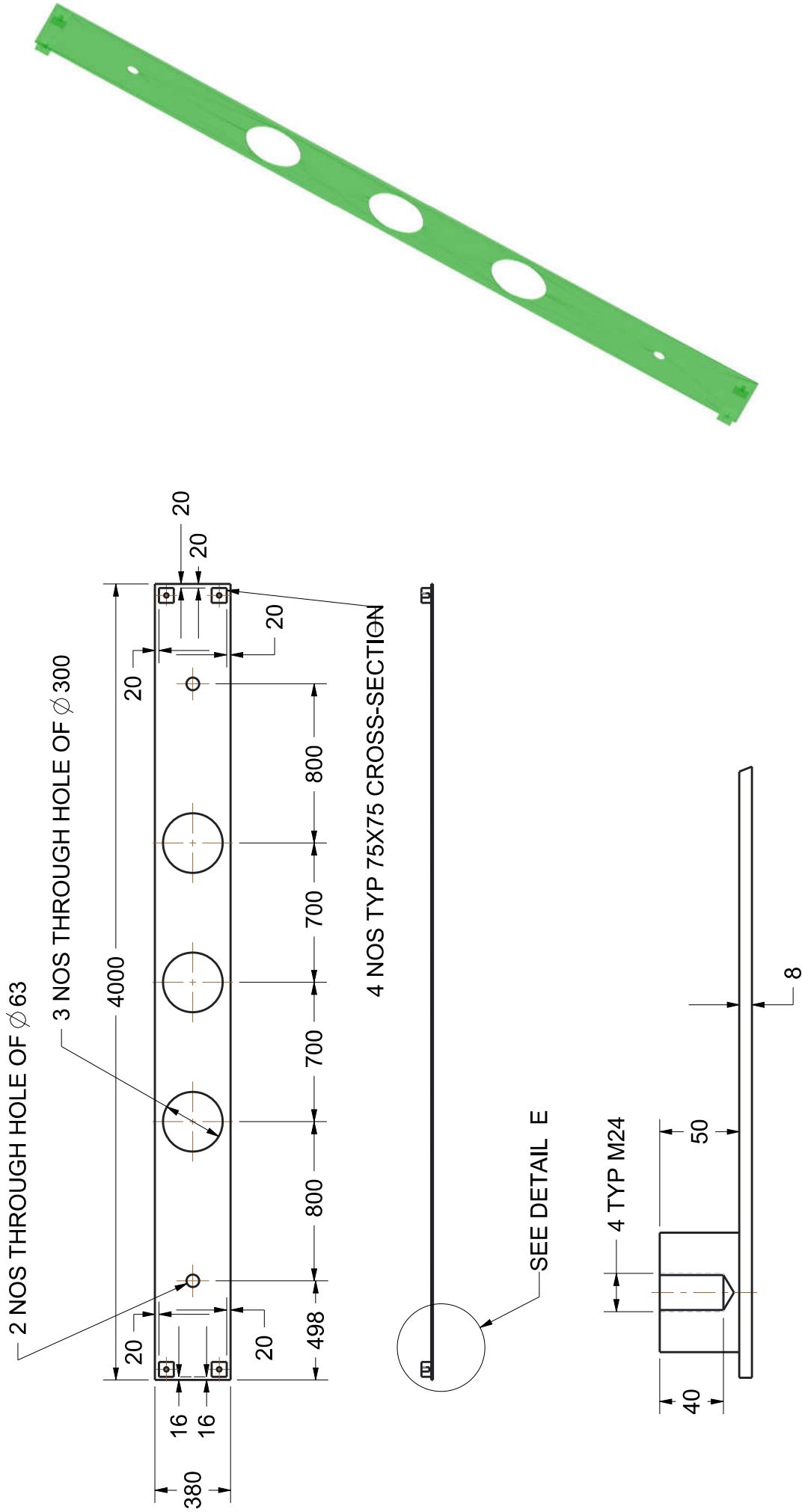
A3 SIZE

IPR/RHRD/SVC-10

MATERIAL : SS304L

WEIGHT : 121.5 kg

SHEET



This drawing is our property.
It can't be produced
or communicated without
our written agreement.

DRAWN BY

DATE

CHECKED BY

DATE



UPPER PLATE

A3 SIZE

IPR/RHRD/SVC-11

MATERIAL : SS304L

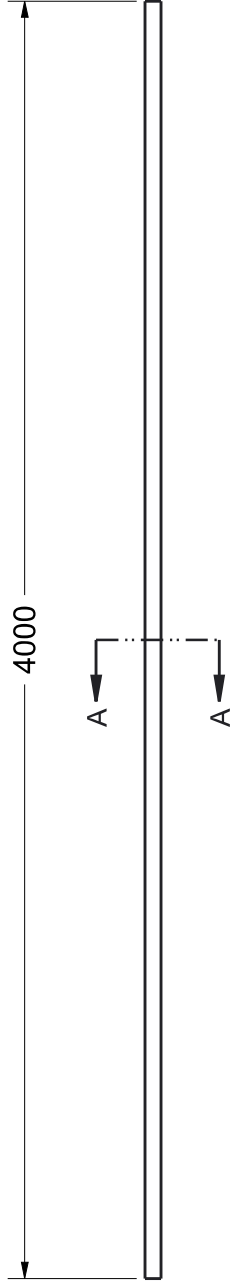
WEIGHT : 88.8 kg

SHEET

NOTE:

1) ALL DIMENSIONS ARE IN mm

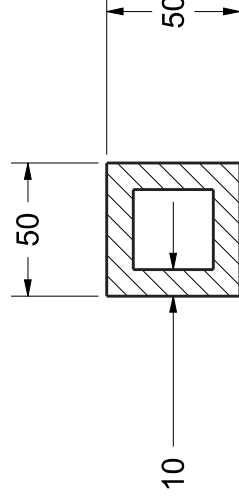
INSTITUTE FOR PLASMA RESEARCH



SEE DETAIL G



SECTION A-A





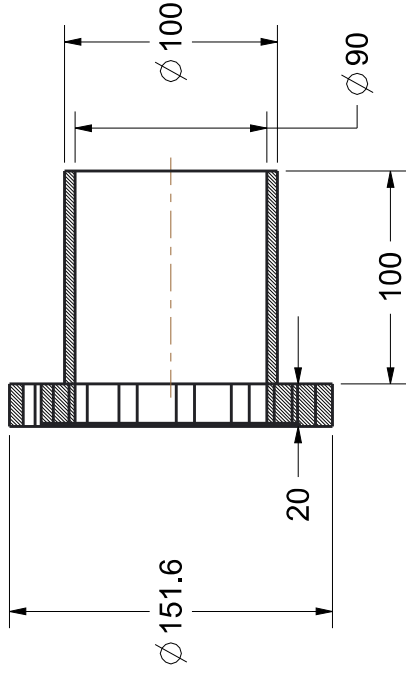
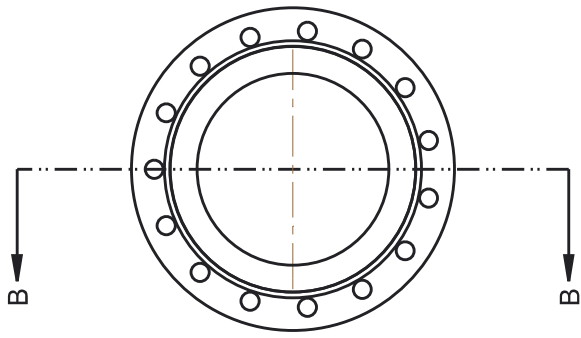
DETAIL G



NOTE:

1) ALL DIMENSIONS ARE IN mm

<p>This drawing is our property. It can't be produced or communicated without our written agreement.</p>		<p>INSTITUTE FOR PLASMA RESEARCH</p>	
<p>DRAWN BY</p>	<p>DATE</p>	<p>RAIL SUPPORT STRUCTURE</p>	
<p>CHECKED BY</p>	<p>DATE</p>	<p>A3 SIZE</p>	<p>IPR/RHRD/SVC-12</p>
		<p>MATERIAL : SS304L</p>	<p>WEIGHT : 49.5 kg</p>
			<p>SHEET</p>



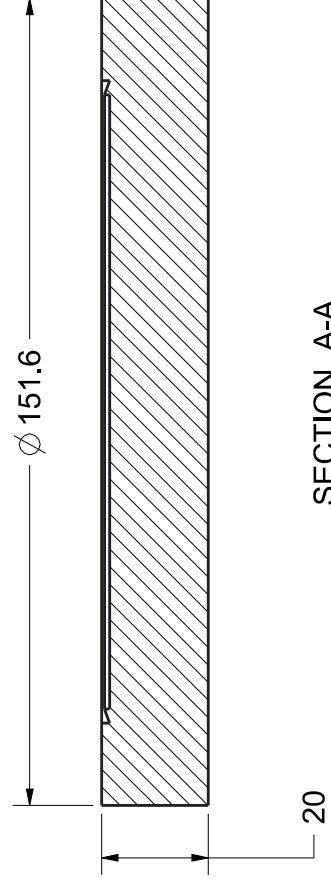
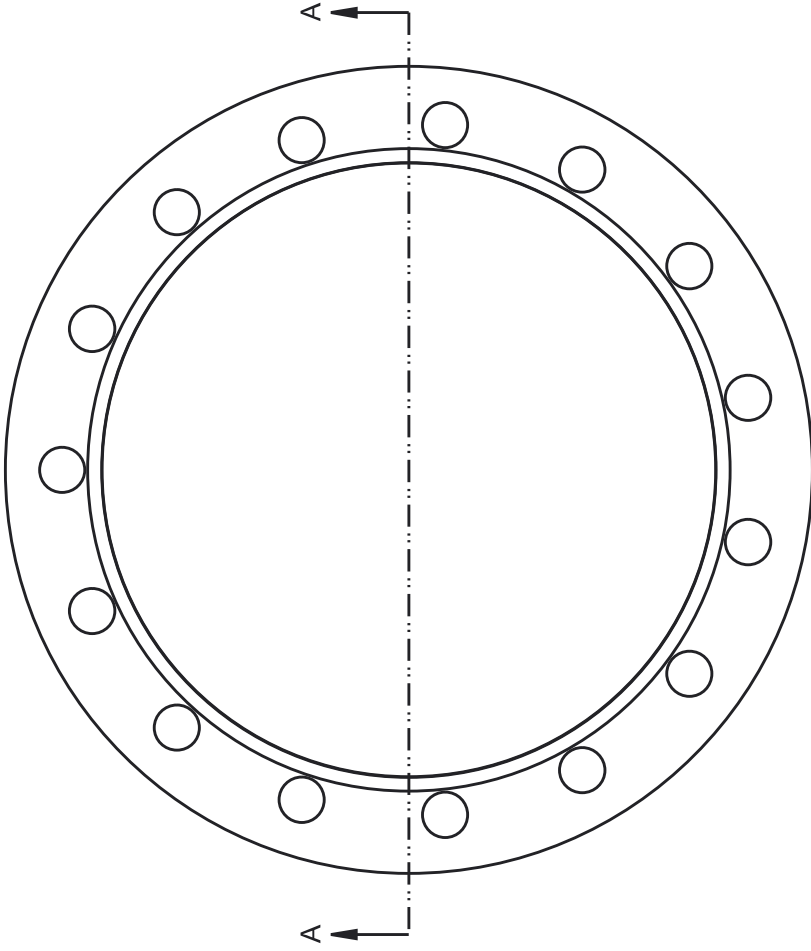
SECTION B-B



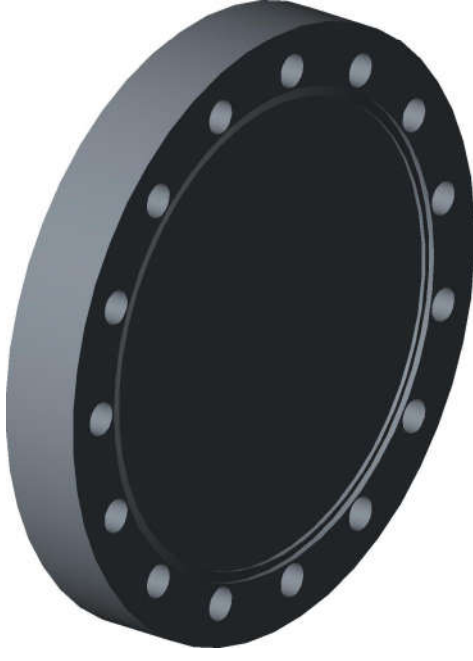
NOTE:

- 1) ALL DIMENSIONS ARE IN mm
- 2) CONSIDER STANDARD 100 CF FLANGE FOR DETAIL DIMENSION

This drawing is our property. It can't be produced or communicated without our written agreement.		INSTITUTE FOR PLASMA RESEARCH	
DRAWN BY	DATE	100CF FLANGE	
CHECKED BY	DATE	A3 SIZE	IPR/RHRD/SVC-13
		MATERIAL : SS304L	WEIGHT : 6.58 kg
			SHEET



SECTION A-A



NOTE:

- 1) ALL DIMENSIONS ARE IN mm
- 2) CONSIDER STANDARD 100 CF FLANGE FOR DETAIL DIMENSION

This drawing is our property.
It can't be produced
or communicated without
our written agreement.

DRAWN BY	DATE
CHECKED BY	DATE

INSTITUTE FOR PLASMA RESEARCH

100CF BLANK FLANGE

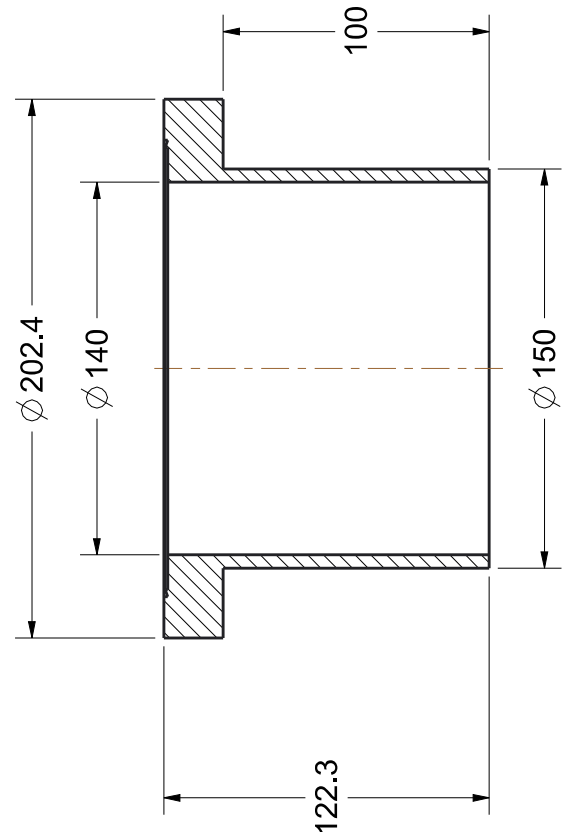
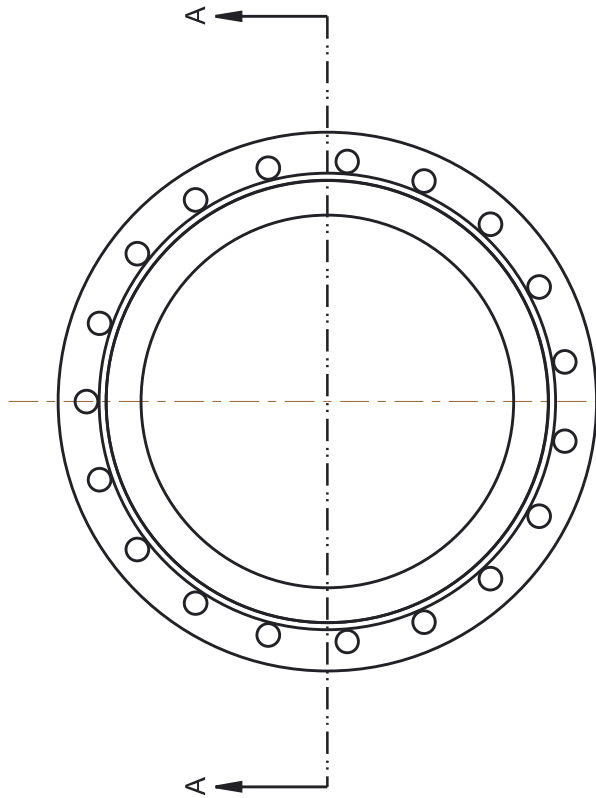
A3 SIZE IPR/RHRTD/SVC-14

MATERIAL : SS304L

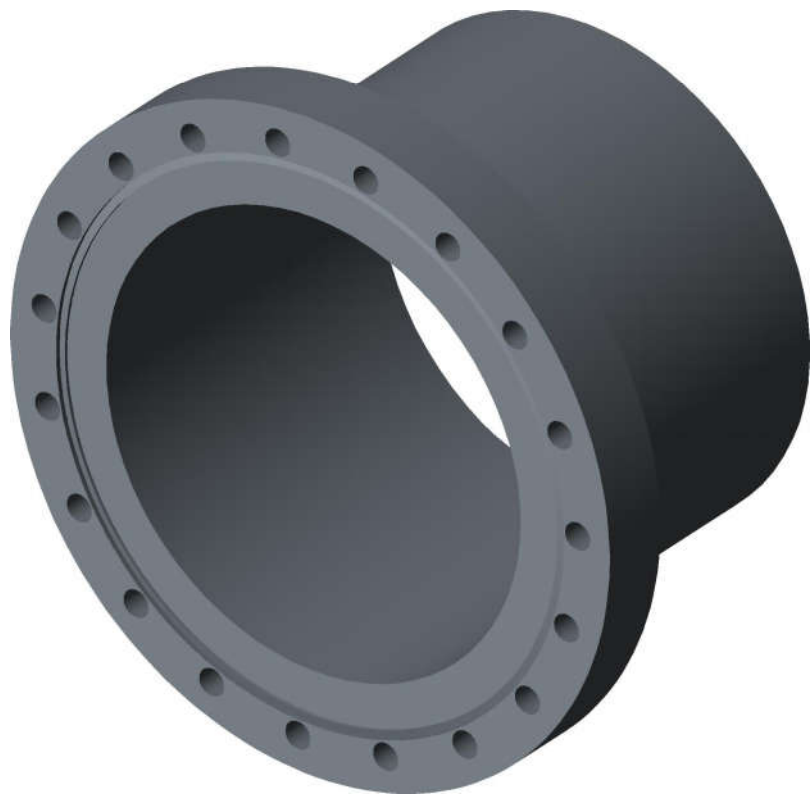
WEIGHT : 2.53 kg

SHEET







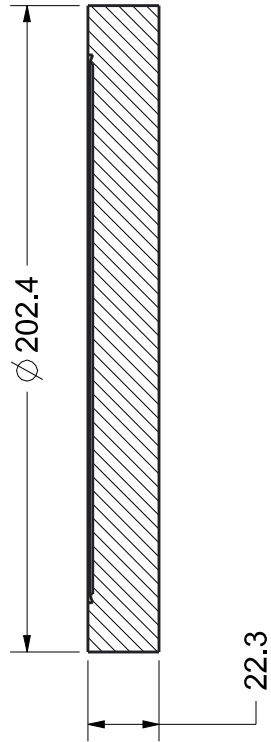
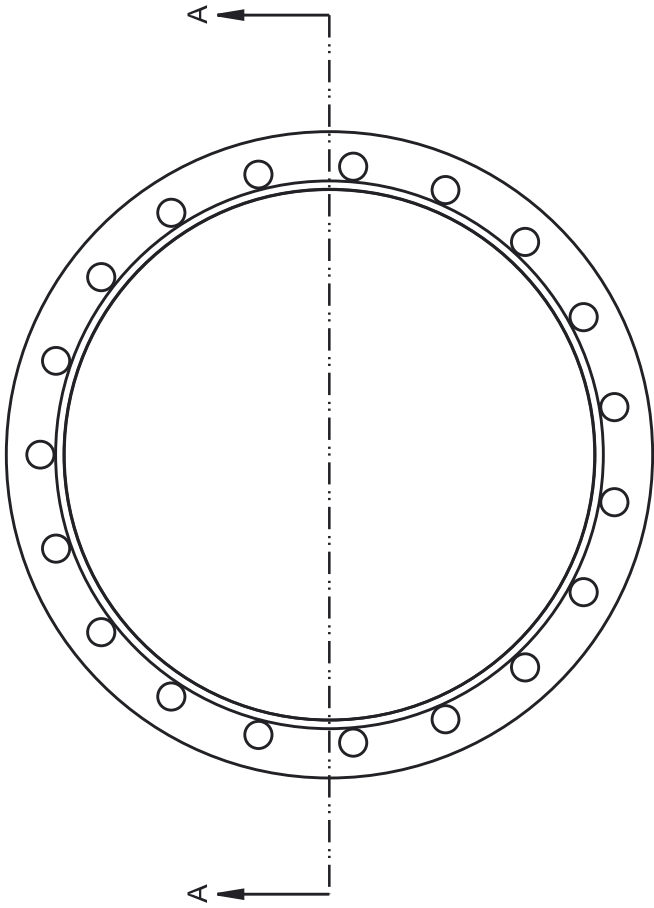
SECTION A-A



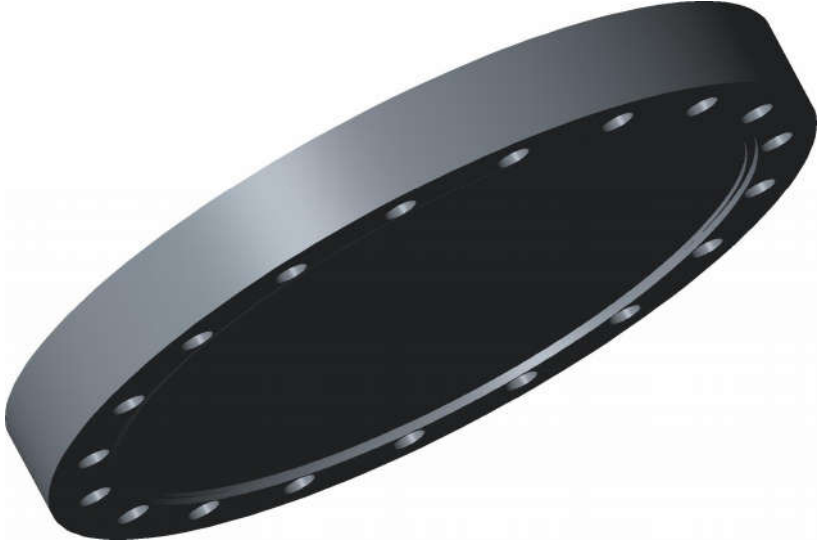
NOTE:

- 1) ALL DIMENSIONS ARE IN mm
- 2) CONSIDER STANDARD 150 CF FLANGE FOR DETAIL DIMENSION

This drawing is our property. It can't be produced or communicated without our written agreement.		INSTITUTE FOR PLASMA RESEARCH	
DRAWN BY	DATE	150CF FLANGE	
CHECKED BY	DATE	A3 SIZE	IPR/RHRD/SVC-15
		MATERIAL : SS304L	WEIGHT : 4.39 kg
			SHEET



SECTION A-A

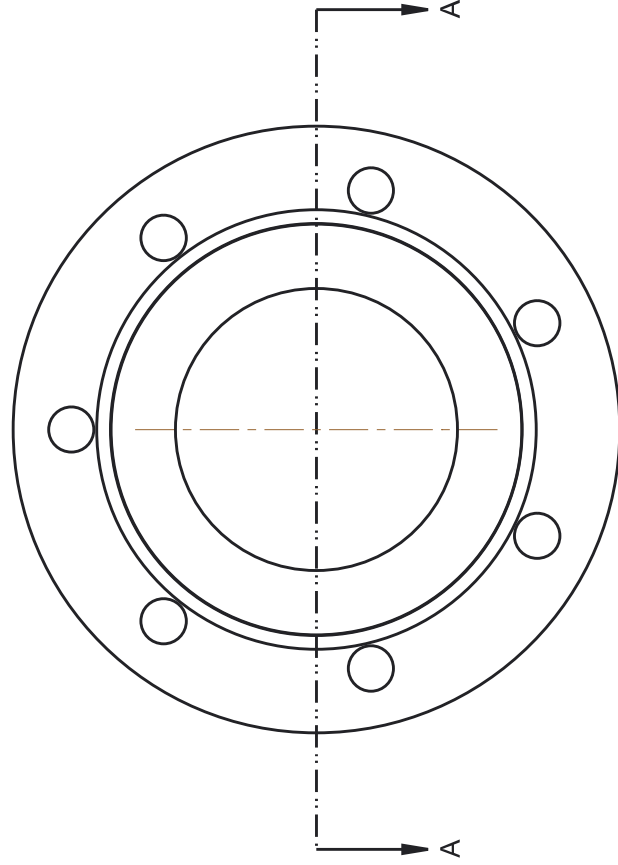
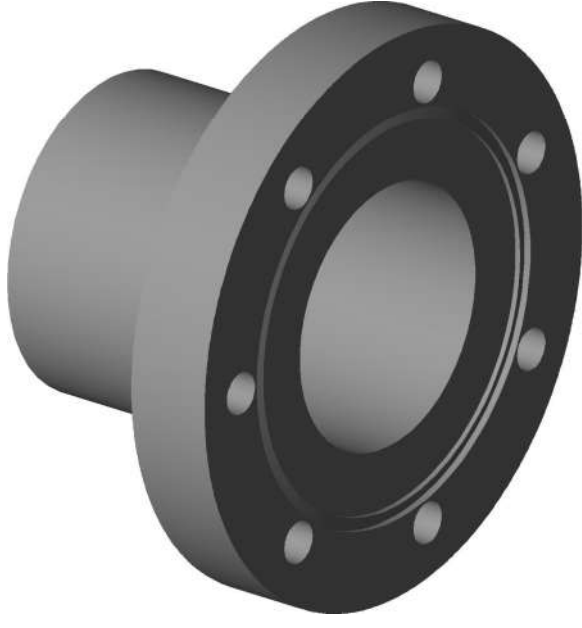
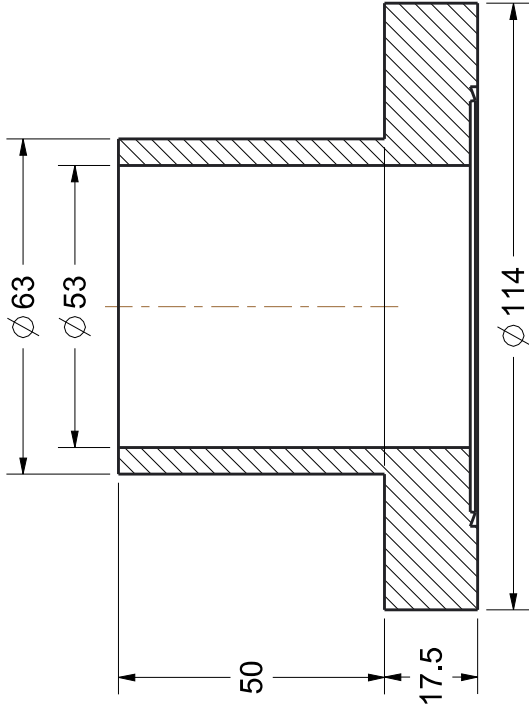


NOTE:

- 1) ALL DIMENSIONS ARE IN mm
- 2) CONSIDER STANDARD 150 CF FLANGE FOR DETAIL DIMENSION

This drawing is our property.
It can't be produced
or communicated without
our written agreement.

DRAWN BY	DATE	INSTITUTE FOR PLASMA RESEARCH	
CHECKED BY	DATE	150CF BLANK FLANGE	
		A3 SIZE	IPR/RHRTD/SVC-16
		MATERIAL : SS304L	WEIGHT : 5.10 kg
			SHEET



NOTE:

- 1) ALL DIMENSIONS ARE IN mm
- 2) CONSIDER STANDARD 63 CF FLANGE FOR DETAIL DIMENSION

This drawing is our property.
It can't be produced
or communicated without
our written agreement.

DRAWN BY

DATE

CHECKED BY

DATE



INSTITUTE FOR PLASMA RESEARCH

63CF CASK SIDE FLANGE

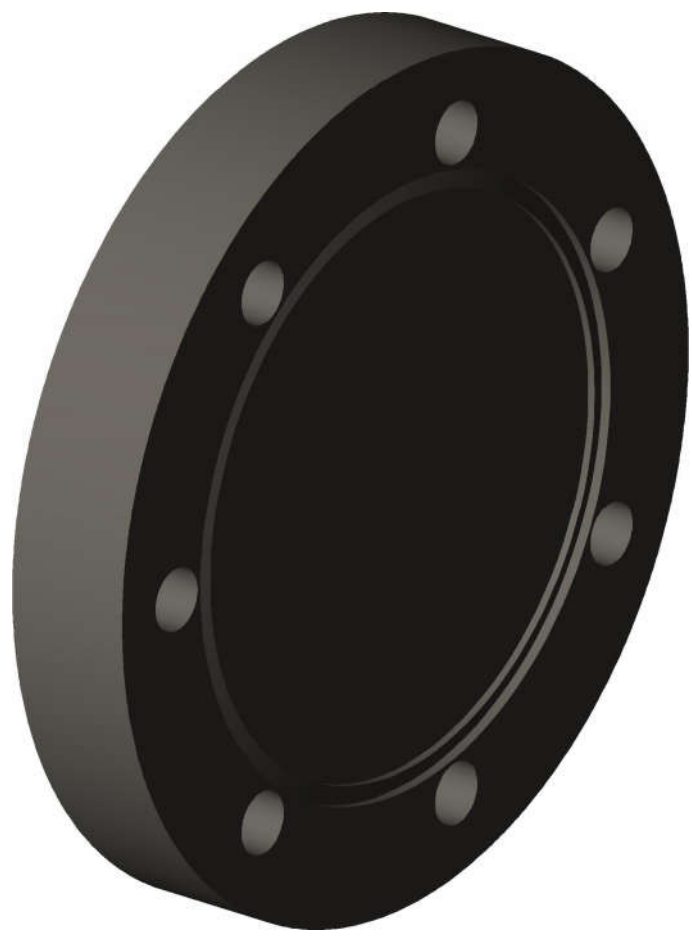
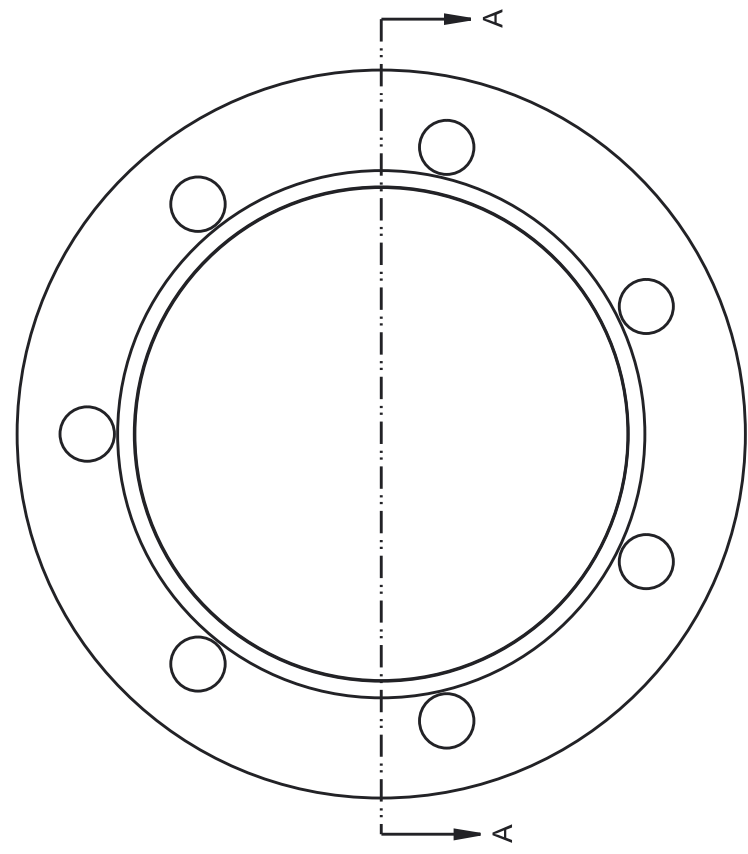
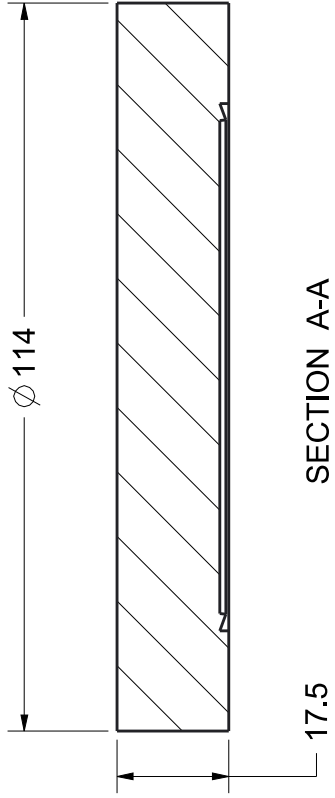
IPR/RHRD/SVC-17

A3 SIZE

MATERIAL : SS304L

WEIGHT : 1.35 kg

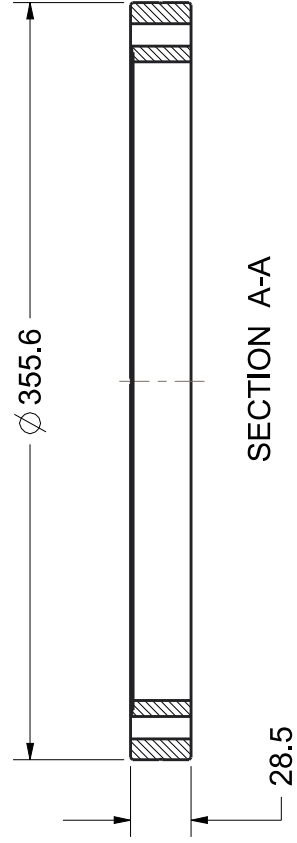
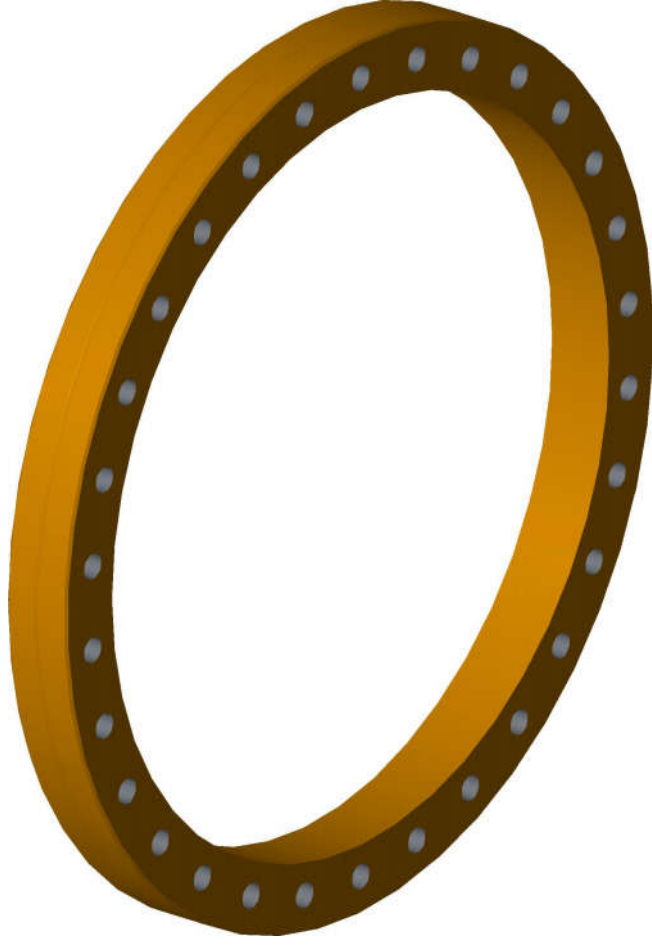
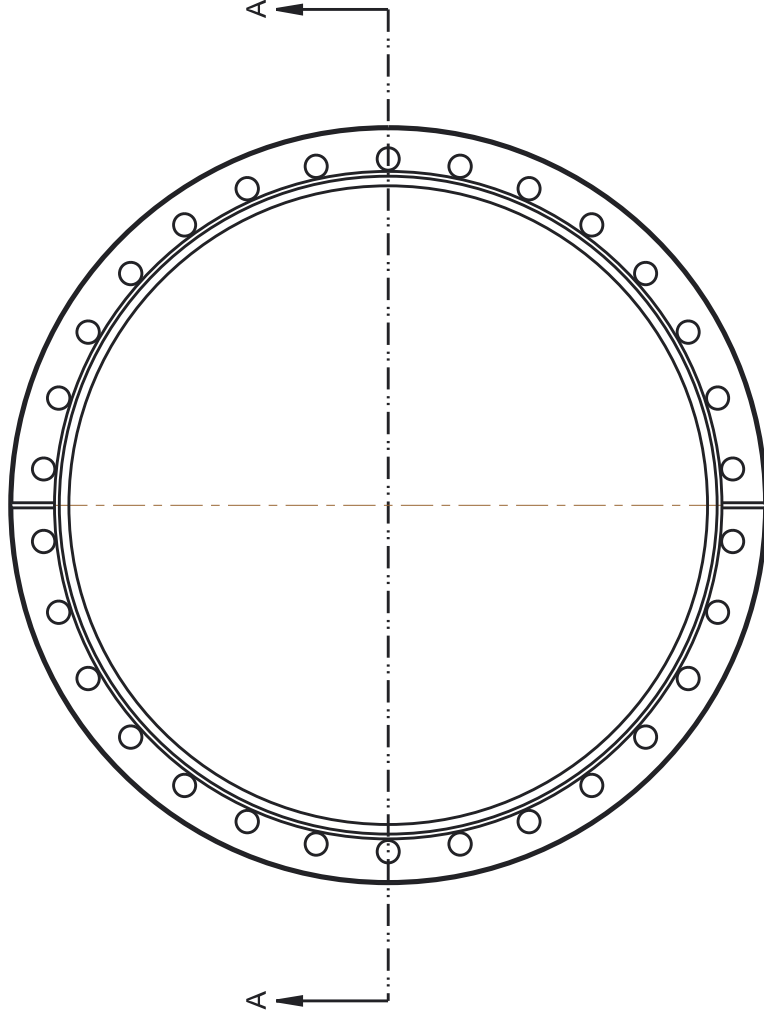
SHEET



NOTE:

- 1) ALL DIMENSIONS ARE IN mm
- 2) CONSIDER STANDARD 63 CF FLANGE FOR DETAIL DIMENSION

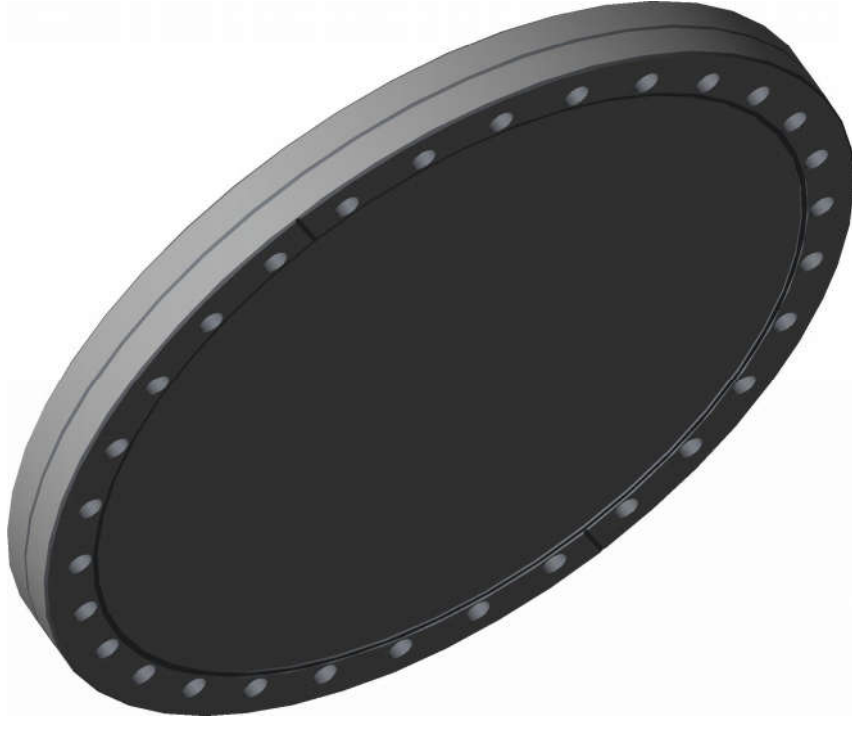
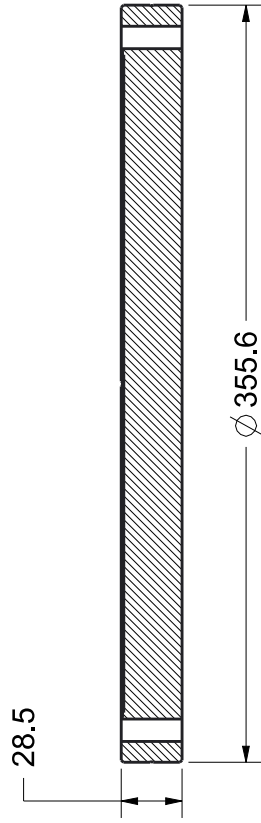
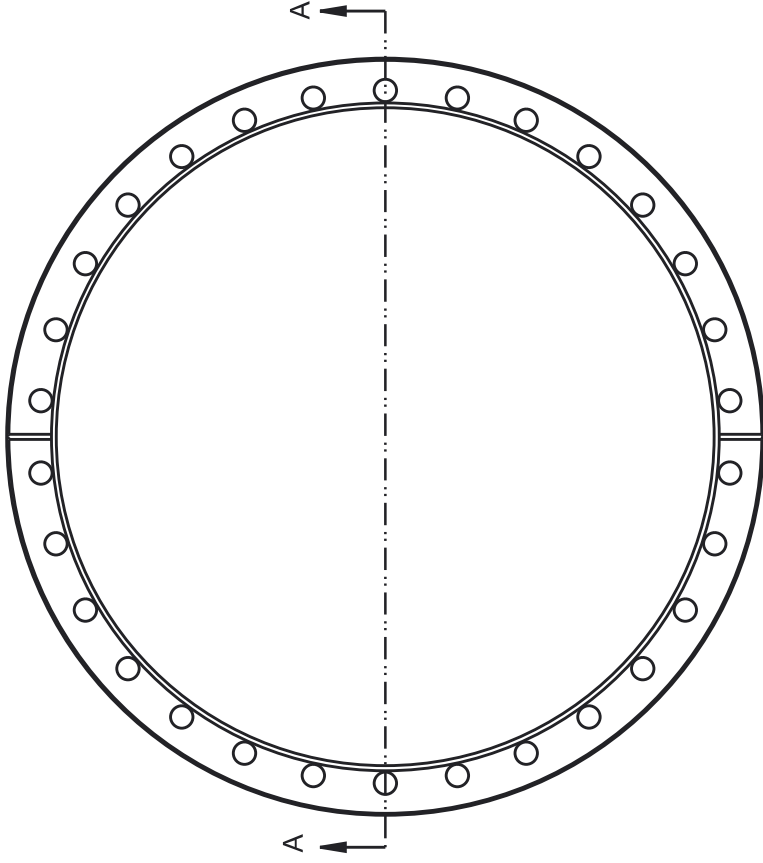
This drawing is our property. It can't be produced or communicated without our written agreement.		INSTITUTE FOR PLASMA RESEARCH	
DRAWN BY	DATE	63CF BLANK FLANGE	
CHECKED BY	DATE	A3 SIZE	IPR/RHRTD/SVC-18
		MATERIAL : SS304L	WEIGHT : 1.27 kg
			SHEET



NOTE:



- 1) ALL DIMENSIONS ARE IN mm
- 2) CONSIDER STANDARD 300 CF FLANGE FOR DETAIL DIMENSION

This drawing is our property. It can't be produced or communicated without our written agreement.		INSTITUTE FOR PLASMA RESEARCH	
DRAWN BY	DATE	300CF FLANGE	
CHECKED BY	DATE	A3 SIZE	IPR/RHRTD/SVC-19
		MATERIAL : SS304L	WEIGHT : 5.68 kg
			SHEET

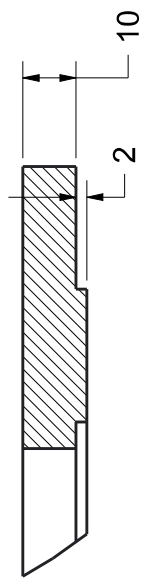
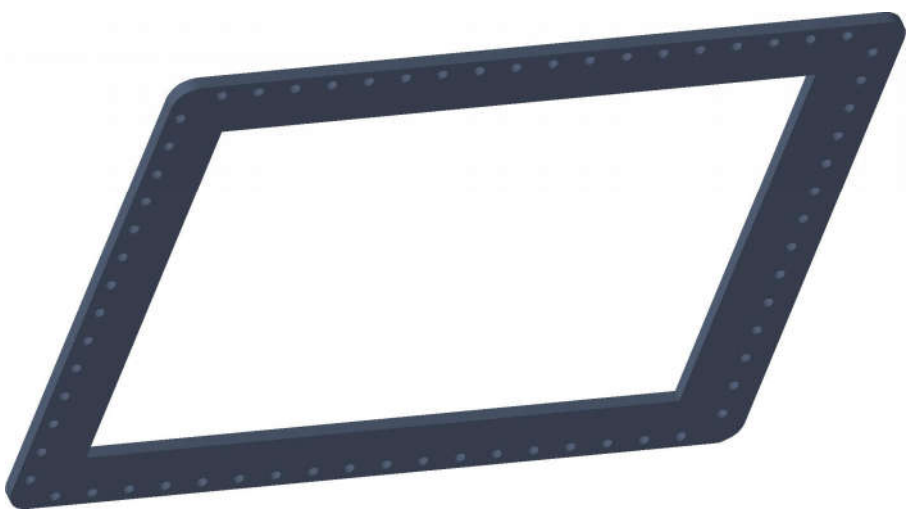
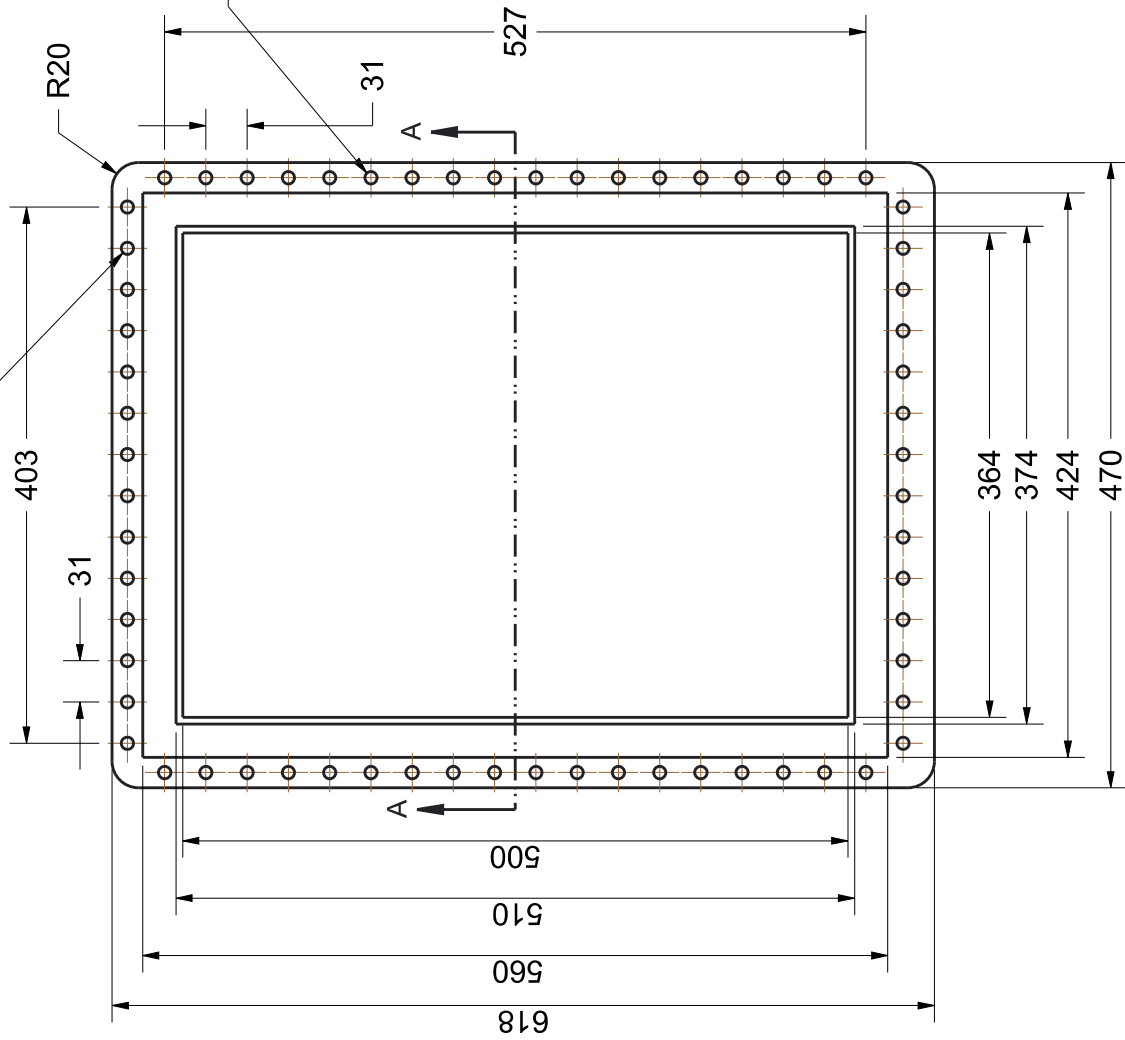


NOTE:

- 1) ALL DIMENSIONS ARE IN mm
- 2) CONSIDER STANDARD 300 CF FLANGE FOR DETAIL DIMENSION

This drawing is our property. It can't be reproduced or communicated without our written agreement.		INSTITUTE FOR PLASMA RESEARCH	
DRAWN BY	DATE	300CF BLANK FLANGE	
CHECKED BY	DATE	A3 SIZE	IPR/RHRTD/SVC-20
		MATERIAL : SS304L	WEIGHT : 20.63 kg
			SHEET

14 NOS TYP THROUGH HOLE OF ϕ 9.2



DETAIL F



SECTION A-A

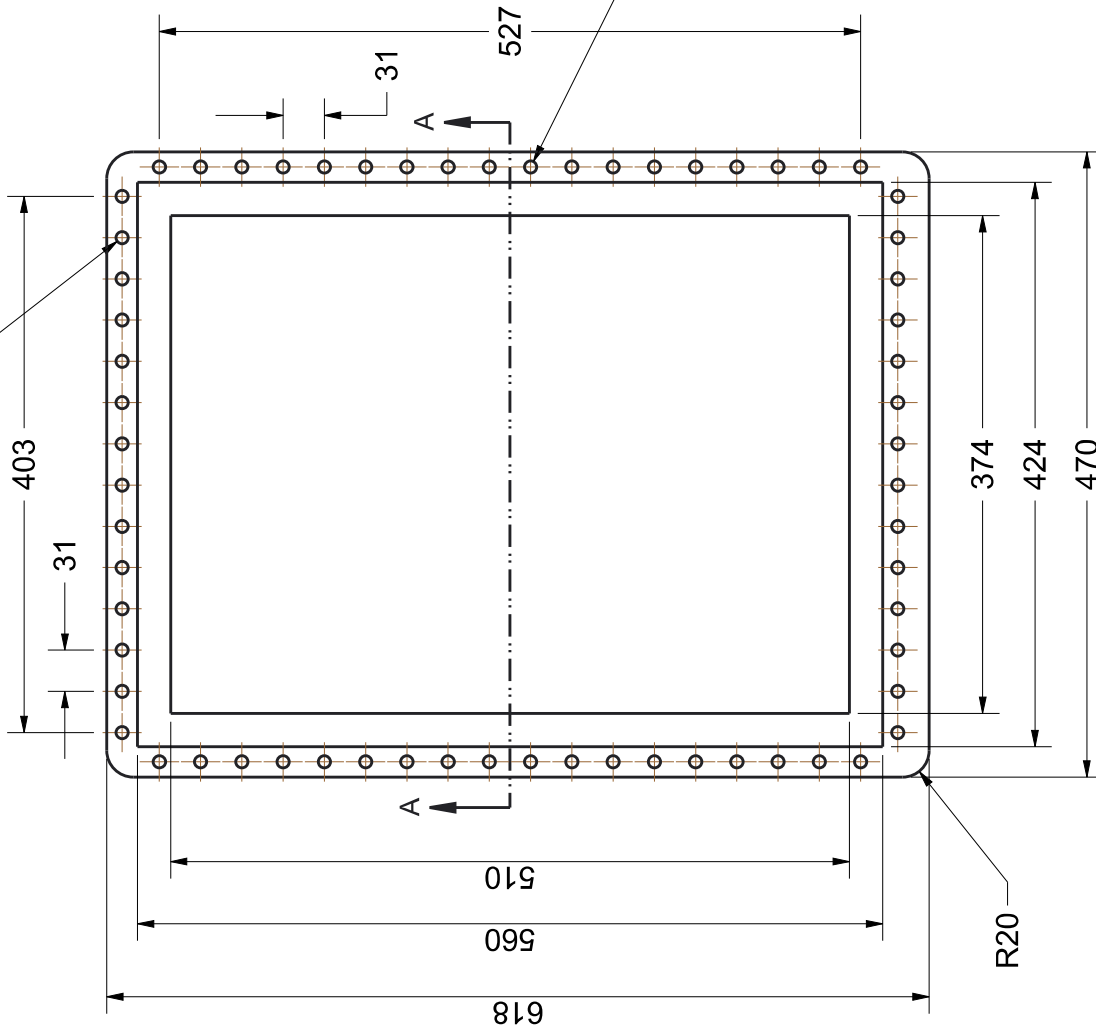
SEE DETAIL F

This drawing is our property. It can't be produced or communicated without our written agreement.

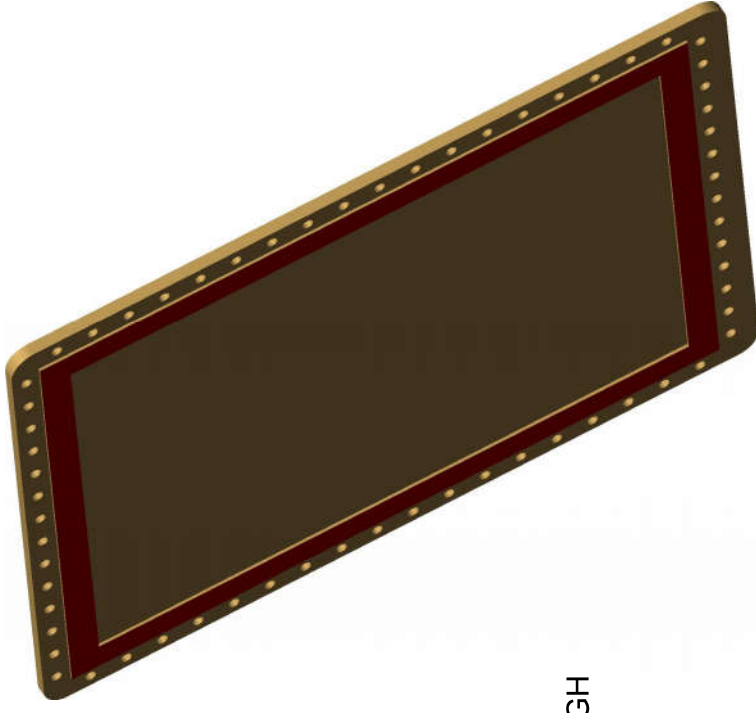
DRAWN BY		DATE	INSTITUTE FOR PLASMA RESEARCH	
CHECKED BY		DATE	END FLANGE	
			A3 SIZE	IPR/RHRTD/SVC-21
			MATERIAL : SS304L	WEIGHT : 8.76 kg
				SHEET

ALL DIMENSIONS ARE IN mm

14 NOS TYP THROUGH HOLE OF ϕ 9.2



18 NOS TYP THROUGH HOLE OF ϕ 9.2



NOTE:

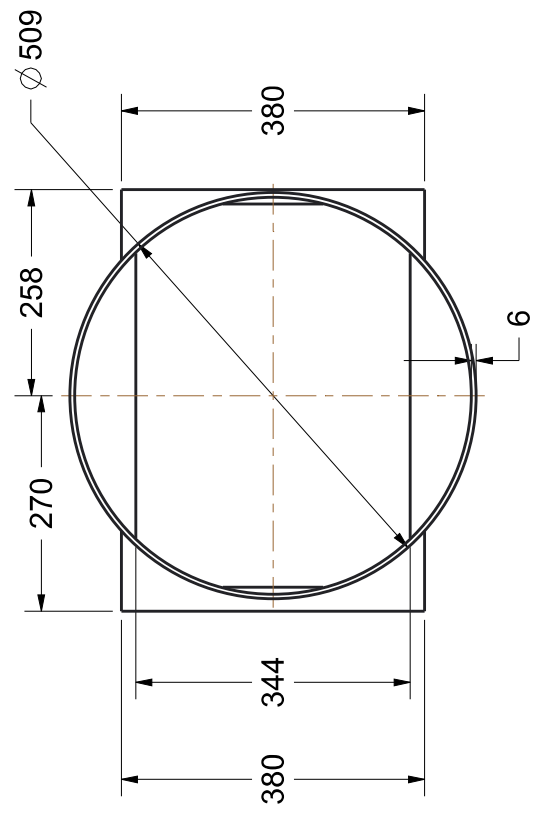
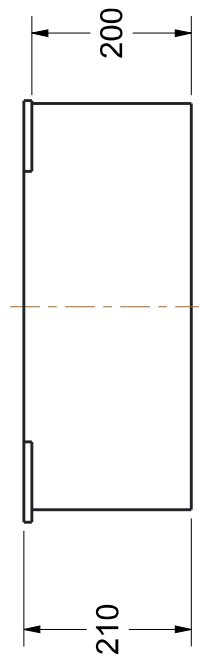
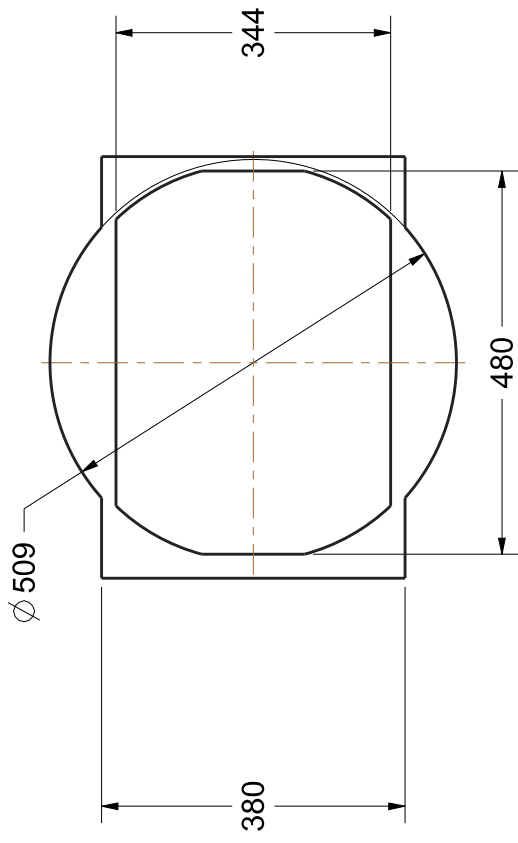
1) ALL DIMENSIONS ARE IN mm

This drawing is our property. It can't be produced or communicated without our written agreement.

DRAWN BY	DATE	INSTITUTE FOR PLASMA RESEARCH	
CHECKED BY	DATE	BLANK END FLANGE	
		A3 SIZE	IPR/RHRTD/SVC-22
		MATERIAL : SS304L	WEIGHT : 22.85 kg
			SHEET



SECTION A-A

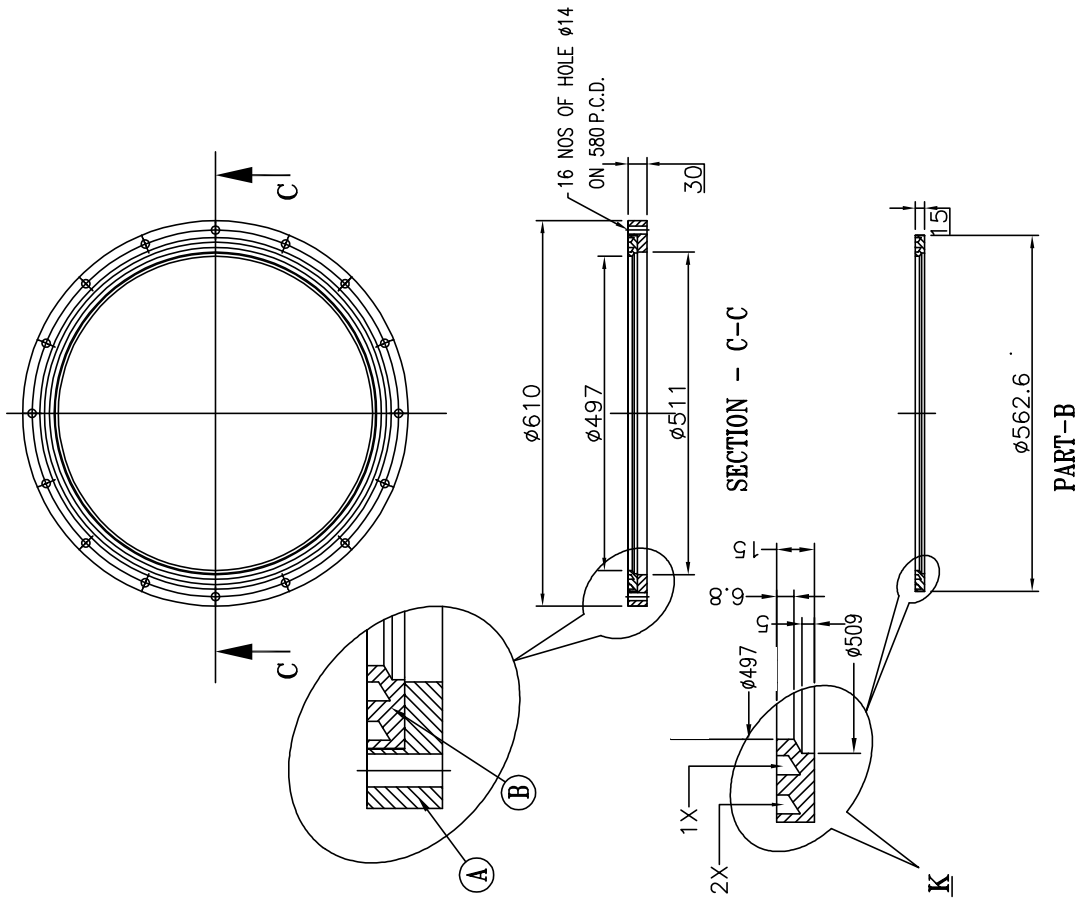
SEE DETAIL H



NOTE:

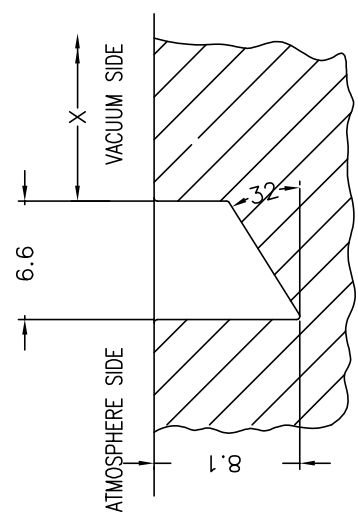
1) ALL DIMENSIONS ARE IN mm

This drawing is our property. It can't be produced or communicated without our written agreement.		INSTITUTE FOR PLASMA RESEARCH	
DRAWN BY	DATE	VESSEL SIDE END FLANGE CONNECTOR	
CHECKED BY	DATE	A3 SIZE	IPR/RHRTD/SVC-23
		MATERIAL : SS304L	WEIGHT : 20.56 kg
			SHEET

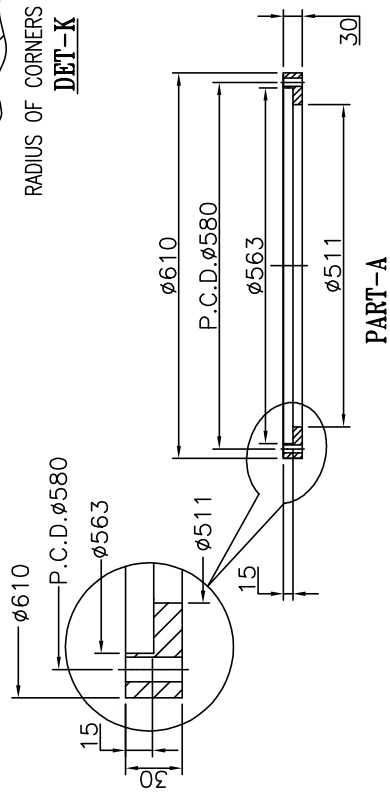


NOTE:

1) ALL DIMENSIONS ARE IN mm



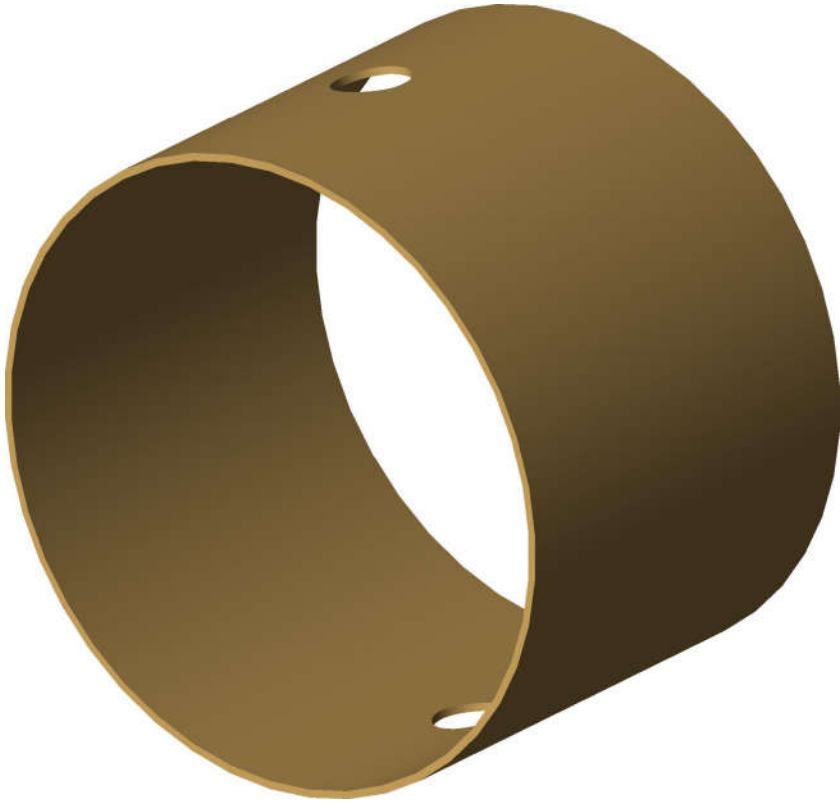
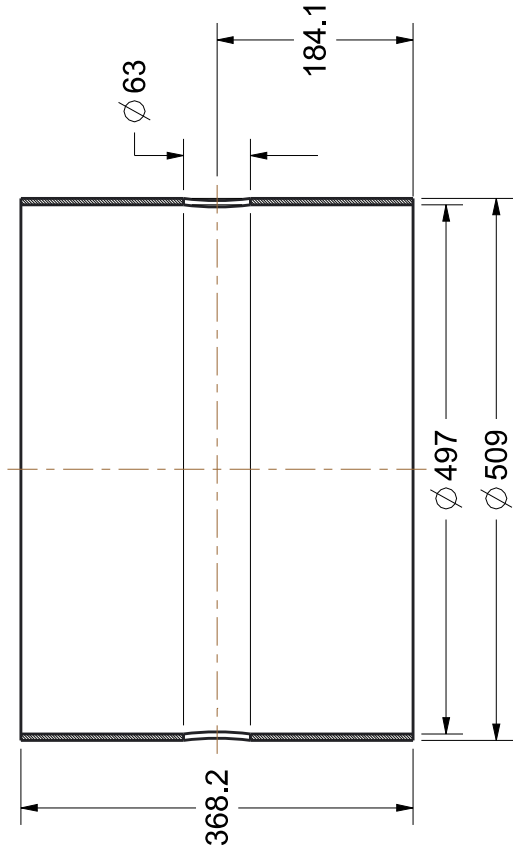
RADIUS OF CORNERS ARE 0.13 TO 0.2 M.M.
DET-K



2X	O-RING -6	Ø541	8.16	8.31	6.6	6.81
1X	O-RING -5	Ø510	MIN.	MAX.	MIN.	MAX.
NO.	DESCRIPTION	X	CROSS-SECTIONAL DIA OF O-RING		A	B

DET.K

This drawing is our property. It can't be produced or communicated without our written agreement.		INSTITUTE FOR PLASMA RESEARCH	
DRAWN BY	DATE	500CF ROTATABLE FLANGE	
CHECKED BY	DATE	A3 SIZE	IPR/RHRTD/SVC-24
		MATERIAL : SS304L	WEIGHT : 19.44 kg
			SHEET



NOTE:

1) ALL DIMENSIONS ARE IN mm

This drawing is our property.
It can't be produced
or communicated without
our written agreement.

DRAWN BY

DATE

CHECKED BY

DATE



MATERIAL : SS304L

WEIGHT : 26.74 kg

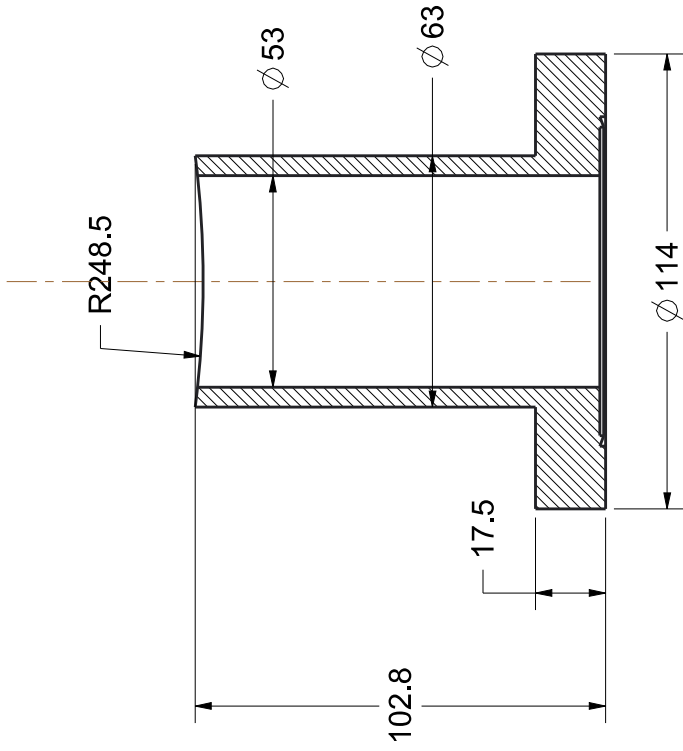
SHEET

INSTITUTE FOR PLASMA RESEARCH

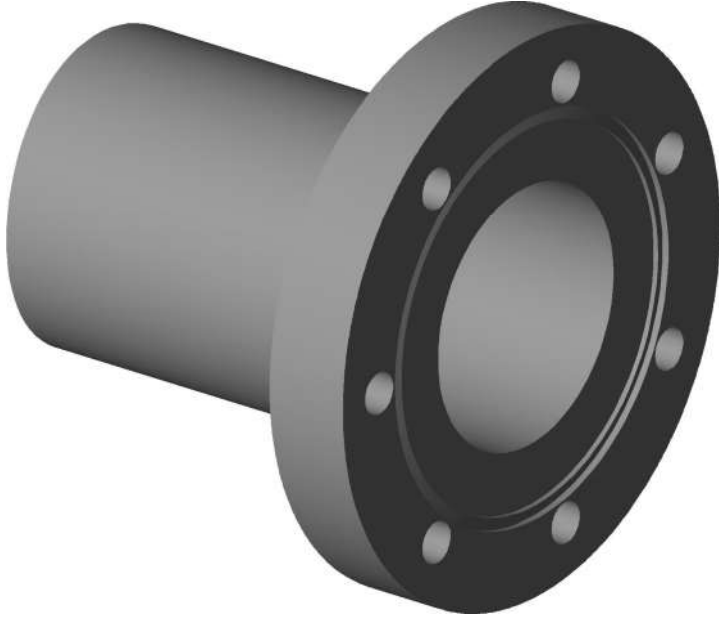
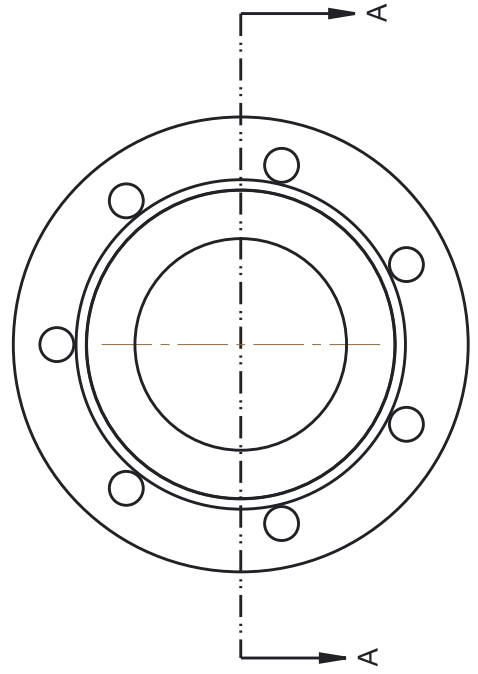
VESSEL PORT FLANGE CONNECTOR

IPR/RHRTD/SVC-25

A3 SIZE



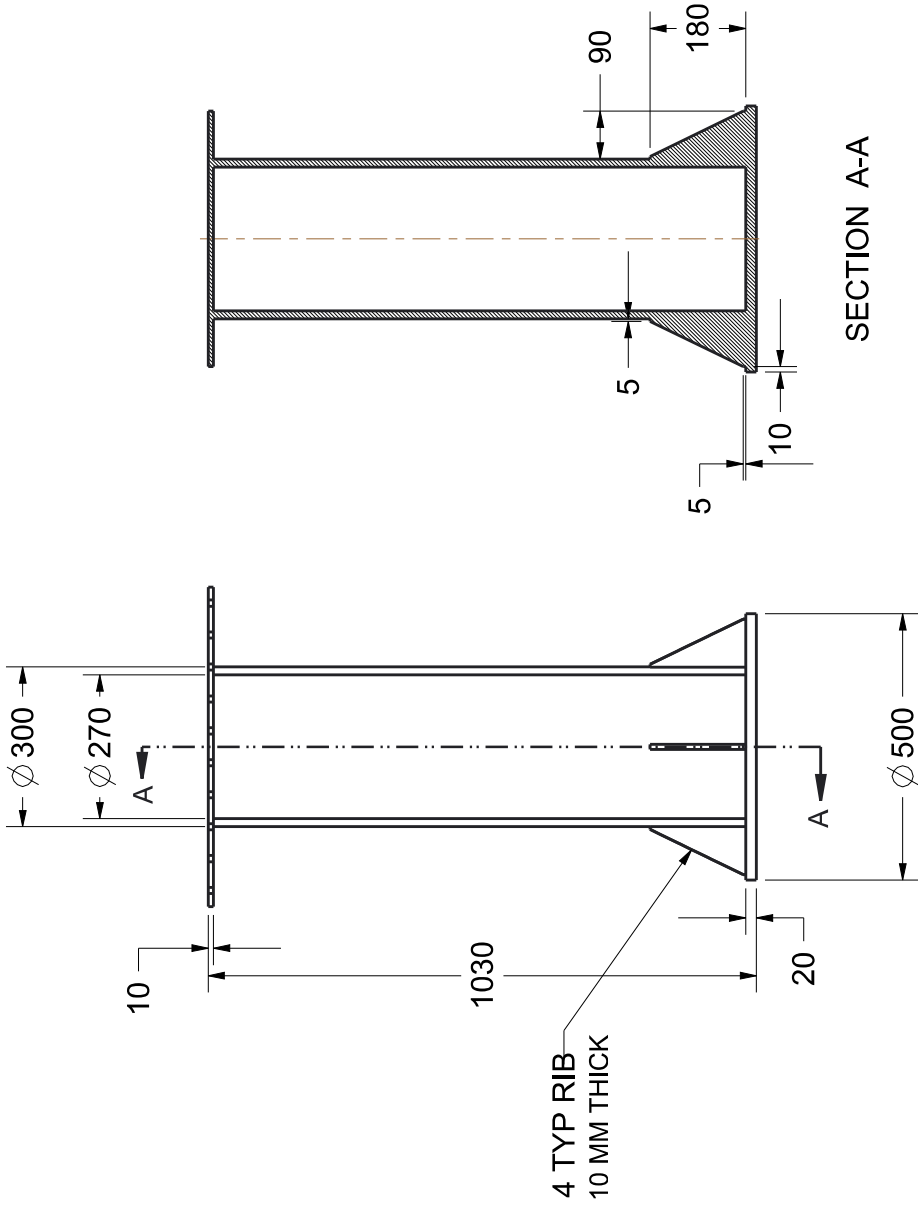
SECTION A-A



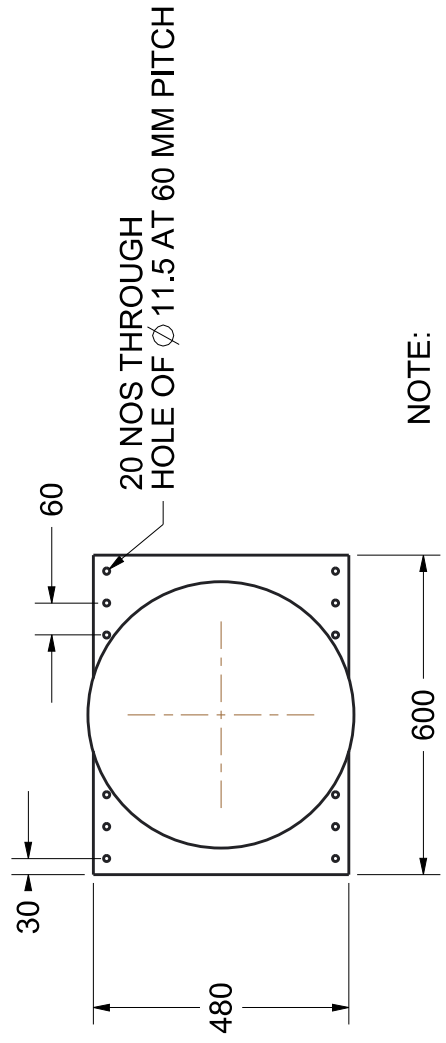
NOTE:

- 1) ALL DIMENSIONS ARE IN mm
- 2) CONSIDER STANDARD 63 CF FLANGE FOR DETAIL DIMENSION

This drawing is our property. It can't be produced or communicated without our written agreement.		INSTITUTE FOR PLASMA RESEARCH	
DRAWN BY	DATE	63CF PORT SIDE FLANGE	
CHECKED BY	DATE	A3 SIZE	IPR/RHRTD/SVC-27
		MATERIAL : SS304L	WEIGHT : 1.68 kg
			SHEET

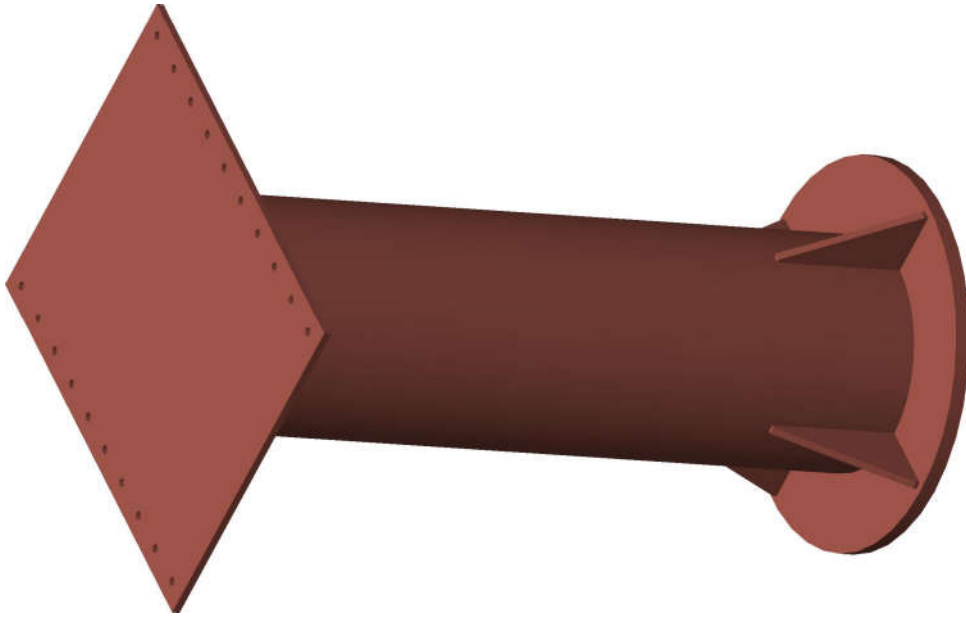


4 TYP RIB
10 MM THICK



NOTE:

1) ALL DIMENSIONS ARE IN mm



This drawing is our property.
It can't be produced
or communicated without
our written agreement.

DRAWN BY

DATE

CHECKED BY

DATE



STAND

INSTITUTE FOR PLASMA RESEARCH

IPR/RHRTD/SVC-28

A3 SIZE

MATERIAL : SS304L

WEIGHT : 159.26 kg

SHEET