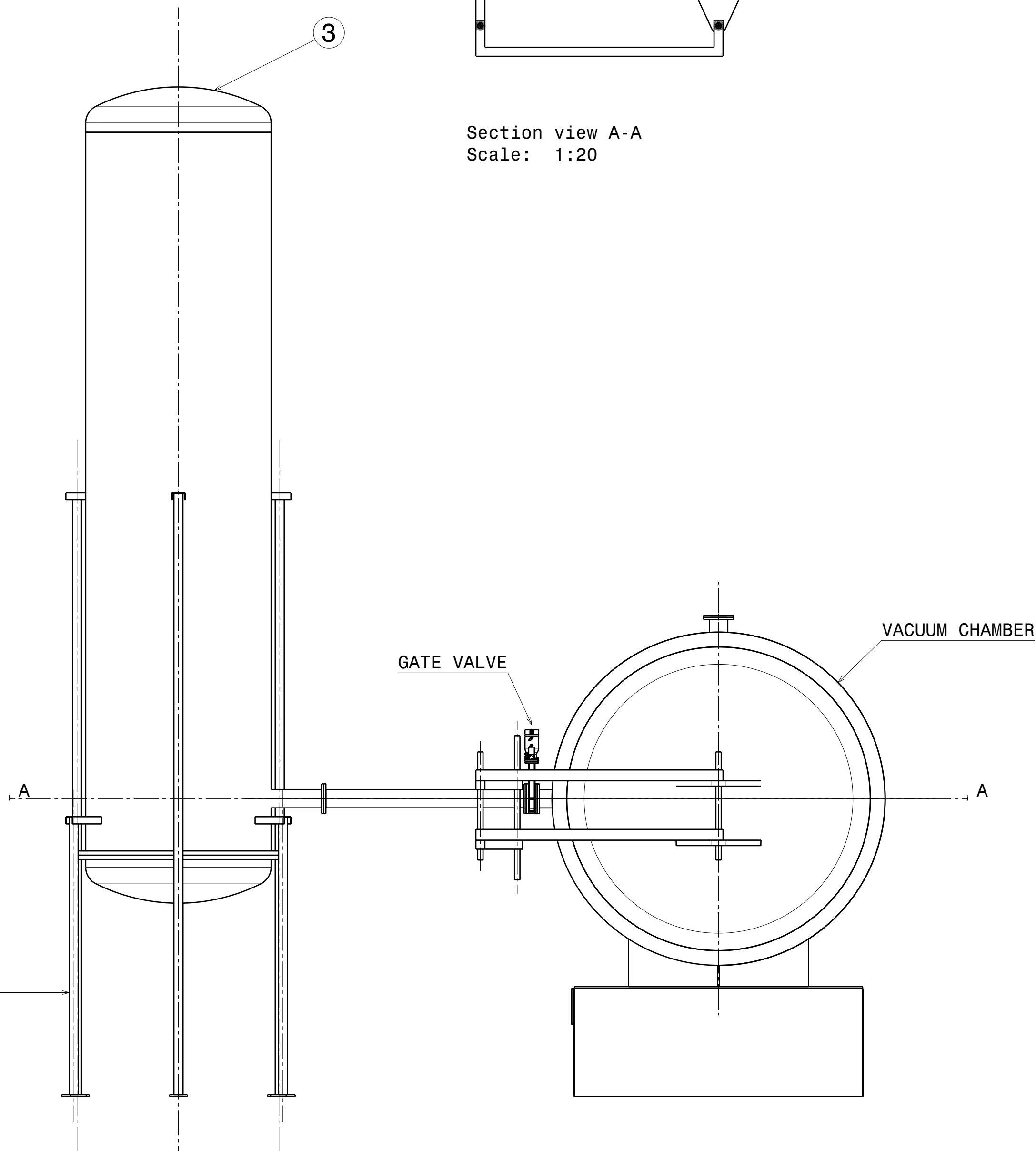
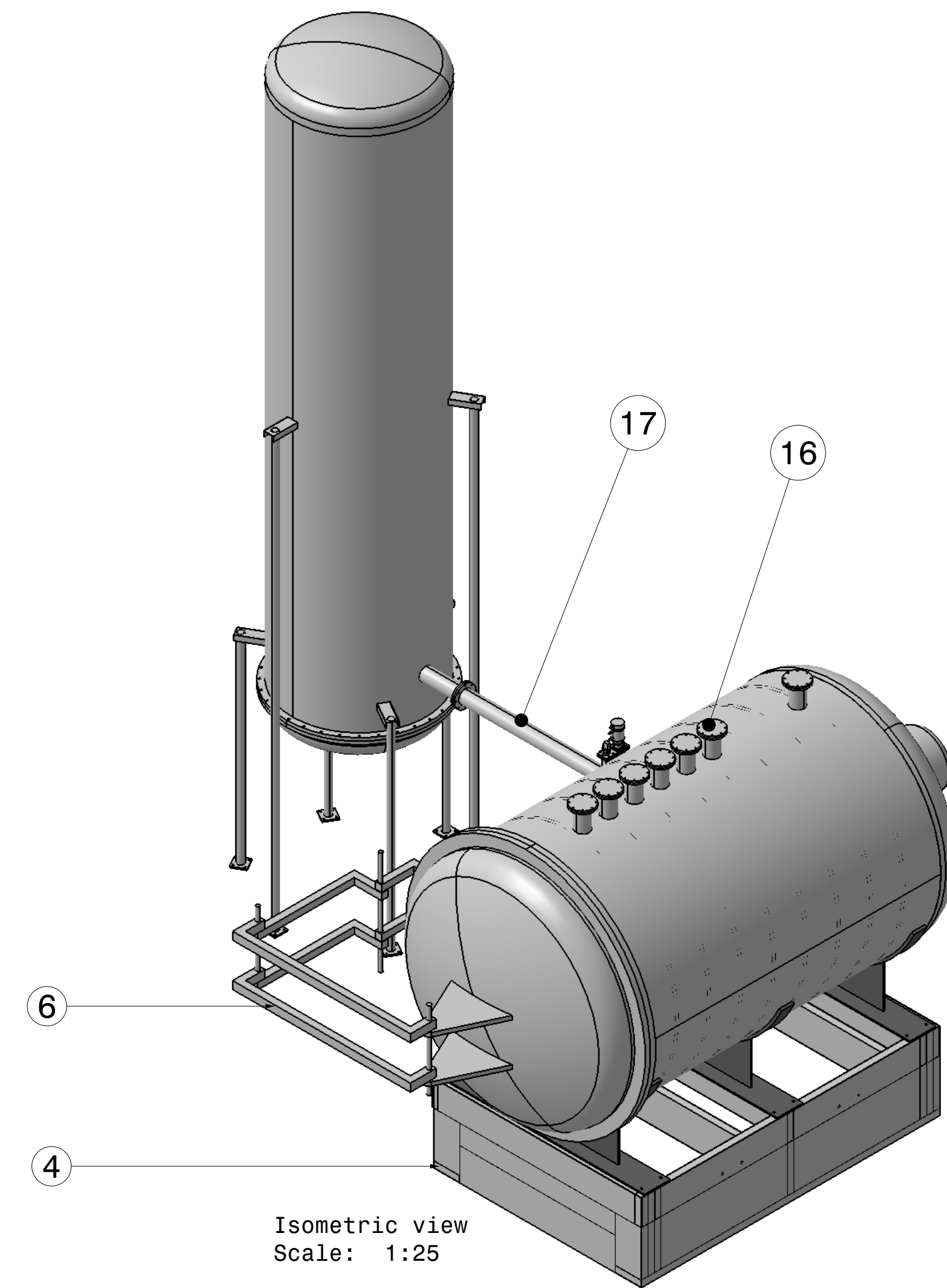


Section view A-A  
Scale: 1:20



Front view  
Scale: 1:20



Isometric view  
Scale: 1:25

- NOTES :-
1. THESE DRAWING MEANT FORREFERENCE ONLY. VENDOR HAS TO GENERATE DETAIL MANUFACTURING DRAWINGS OF ALL THE COMPONENTS IN THE SYSTEM.
  2. DETAIL MANUFACTURING DRAWINGS NEED TO BE SUBMITTED ONLY AFTER THE APPROVAL OF DESIGN OF THE SYSTEM.

SR. NO.	PART NO.	DESCRIPTION	MATERIAL	REMARKS
17	17	ALL THE PUMPING LINE ANS GAS FEEDING PORTS	SA 516 Gr 70	SHEET 1 OF 5
16	16	PORTS	SA 516 Gr 70	SHEET 1 OF 5
15	15	HEARTH PLATE SUPPORTING STRUCTURE	SS 310 CERAMIC FOR ISOLATION AS SHOWN IN SCHEMATIC	SHEET 5 OF 5 SHEET 5 OF 5
14	14	HEARTH PLATE	HIGH DENSITY GRAPHITE	SHEET 5 OF 5
13	13	BLOWER	AS PER STANDERD MATERIAL	SHEET 3 OF 5
12	12	HEAT EXCHANGER	FIN MATERIAL : ALUMINIUM TUBE MATERIAL : COPPER	SHEET 3 OF 5 SHEET 3 OF 5
11	11	SHIELD SUPPORTING STRUCTURE	SS 310	SHEET 4 OF 5
10	10	RADIATION SHIELD	HIGH DENSITY GRAPHITE COVERED WITH C/C AS DEFINED IN THE SPECIFICATION	SHEET 4 OF 5
9	9	FRONT HEATER	HIGH DENSITY GRAPHITE COVERED WITH C/C AS DEFINED IN THE SPECIFICATION	SHEET 4 OF 5
8	8	REAR HEATER	HIGH DENSITY GRAPHITE COVERED WITH C/C AS DEFINED IN THE SPECIFICATION	SHEET 4 OF 5
7	7	HEATER	HIGH DENSITY GRAPHITE	SHEET 4 OF 5
6	6	CHAMBER HINGED ASSY	MILD STEEL	SHEET 1 OF 5
5	5	NITROGEN CHAMBER STAND	MILD STEEL	SHEET 2 OF 5
4	4	CHAMBER SUPPORT STRUCTURE	MILD STEEL	SHEET 1 OF 5
3	3	NITROGEN CHAMBER	SA 516 Gr 70	SHEET 2 OF 5
2	2	OUTER CHAMBER	SA 516 Gr 70	SHEET 1 OF 5
1	1	INNER CHAMBER	SA 516 Gr 70	SHEET 1 OF 5

DRG. NO	8-25	1.6-8	0.025-1.6	0.025	REVISION COLUMN				ASS'Y GROUP:	SIZE	INSTITUTE FOR PLASMA RESEARCH		
CO-ORDINATED BY					REV	ZONE	DESCRIPTION	DATE	REMARKS	APPROVED BY	SCALE	DATE	TITLE
MACHINING DEVIATIONS FOR NON-TOLERANCED DIMENSIONS													
LENGTH IN mm OF SHORTER SIDE OF ANGLES				LENGTH OR DIA	UPTO 6	6-30	30-120	120-315			DRAWN	VP	TITLE
UPTO 10	10-50	50-120	OVER 120-400		±0.1	±0.2	±0.3	±0.5			DESIGNED	AKSHAY	REF DRG NO: A1
±1'	±0'-30'	±0'-20'	±0'-10'								APPROVED	AKSHAY	DRG. NO A1
											REV RD	SHEET 01 OF 05	

VACUUM FURNACE

REF DRG NO: A1